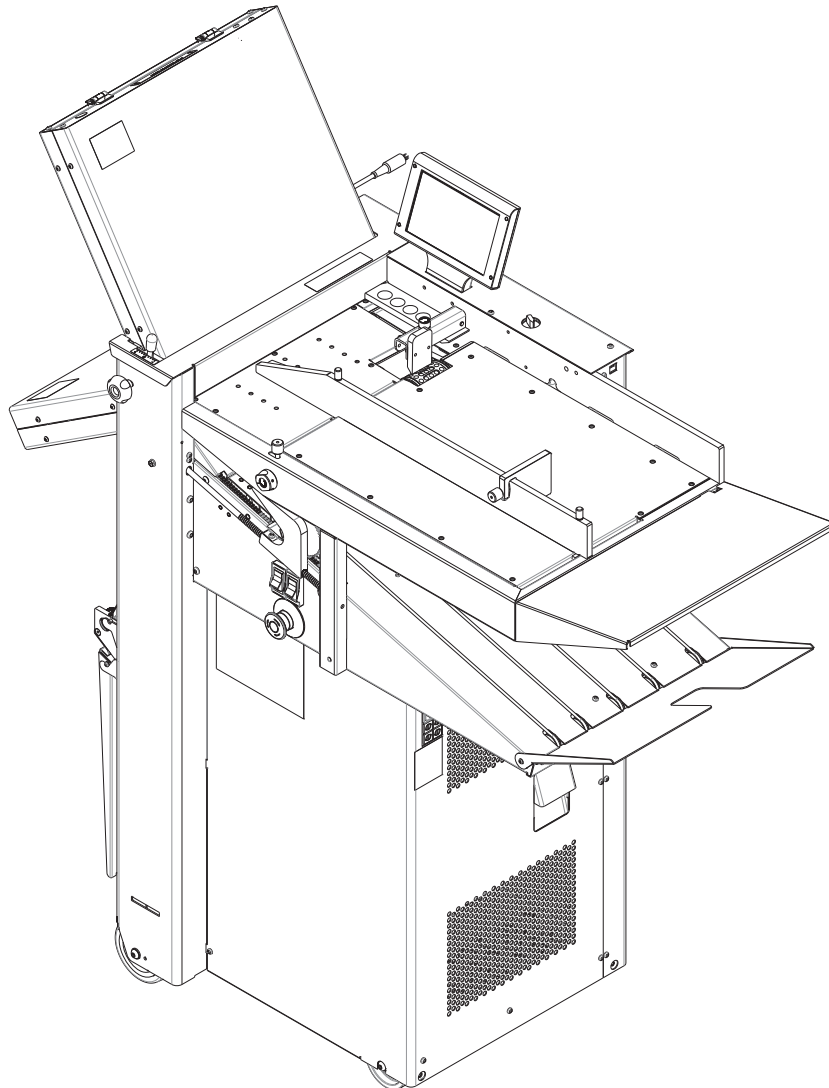




## DocuFold Pro



# **AUTOMATIC PAPER FOLDING MACHINE *ILLUSTRATED PARTS MANUAL***

**Morgana Systems Limited** United Kingdom  
Telephone: (01908) 608888 Fascimile: (01908) 692399  
Website: [www.morgana.co.uk](http://www.morgana.co.uk)

**ISSUE 3    MAY 2011**

**90-126**

# **morgana**

## **DocuFold Pro**

### ***ILLUSTRATED PARTS MANUAL***

The Illustrated Parts Manual has been designed to assist when selecting a part or assembly which may be required to service or repair your machine.

The index on page four lists all of the major assemblies.

The following page demonstrates how to recognize a part from a sub-assembly and shows the quantity contained within the major assembly.

The major assembly number and description is listed at the top of the page and should always be quoted when ordering parts or when seeking technical advice.

Before ordering parts confirm that the model number of the machine (listed at the top of page four) is identical to the number stamped on the specification plate.

Whilst checking this, make a note of the serial number also stamped on the plate.

Some components will not be made available individually as they form part of a sub-assembly which may require specialist tools and knowledge to dismantle. The machine may not perform correctly if attempts are made to repair sub-assemblies of this type.

#### **NOTE....**

**ALWAYS READ THE OPERATORS MANUAL BEFORE MAKING ANY  
ADJUSTMENTS TO YOUR MACHINE AND ALWAYS DISCONNECT THE POWER  
SUPPLY BEFORE REMOVING ANY COVERS.**

## USING THIS MANUAL.....

CIRCLED ITEM NUMBERS IN LISTS & ON ILLUSTRATIONS INDICATE SUB ASSEMBLIES.

ITEMS LISTED ARE AVAILABLE INDIVIDUALLY AS SPARE PARTS.

10			
11	92 - 039	1	SLIDE FRAME ASSEMBLY - Low
12	95-046	1	SWITCH ASSEMBLY - Set-up
13	95-047	1	SWITCH ASSEMBLY - Feed
14	95-049	1	SWITCH ASSEMBLY - Rotary Setting Dial
15	95-058	1	SWITCH ASSEMBLY - Push Button 1
16	95-059	1	SWITCH ASSEMBLY - Push Button 2
17	95-060	1	SWITCH ASSEMBLY - Push Button 3
18	95-064	1	SWITCH ASSEMBLY - Push Button 4
19			
30			

QUANTITY PER ASSEMBLY

### NOTE....

Some sections have footnotes to explain various aspects of the parts lists and accompanying illustrations. They may also include warnings about the fitting of parts, their removal, or the need to use special tools.

### TIP....

Some sections have tips to assist you in choosing spare parts for your machine or advice about keeping certain parts readily available to minimise downtime.

### WARNING.....

SOME SECTIONS HAVE WARNING NOTICES TO ADVISE YOU ABOUT ACTIONS WHICH MAY IMPAIR YOUR MACHINES PERFORMANCE OR CAUSE UNNECESSARY DAMAGE.

SECTION	ASSEMBLY	DESCRIPTION	PAGE
1	940820T	FINAL ASSEMBLY	6
2	9-01-06	MAIN ASSEMBLY	10
3	9-02-05	DELIVERY ASSEMBLY	14
4	9-03-06	FEED BED ASSEMBLY	16
5	9-06-06	FOLD ROLLER ASSEMBLY	18
6	9-07-13	FOLD PLATE ASSY - Auto Deflect	20
7	9-07-14	FOLD PLATE ASSY - Auto Stop	24
8	9-08-06	STACKER ASSEMBLY	28
9	9-08-12 9-08-13	PERFORATOR ASSY. (Metric) PERFORATOR ASSY. (Imperial)	30
10	95-02-01	CONTROL SYSTEM ASSY.	32
11	95-149-01	LEG ASSY.	33
12	9-09-01	OPTIONAL REAR DELIVERY ASSY.	34

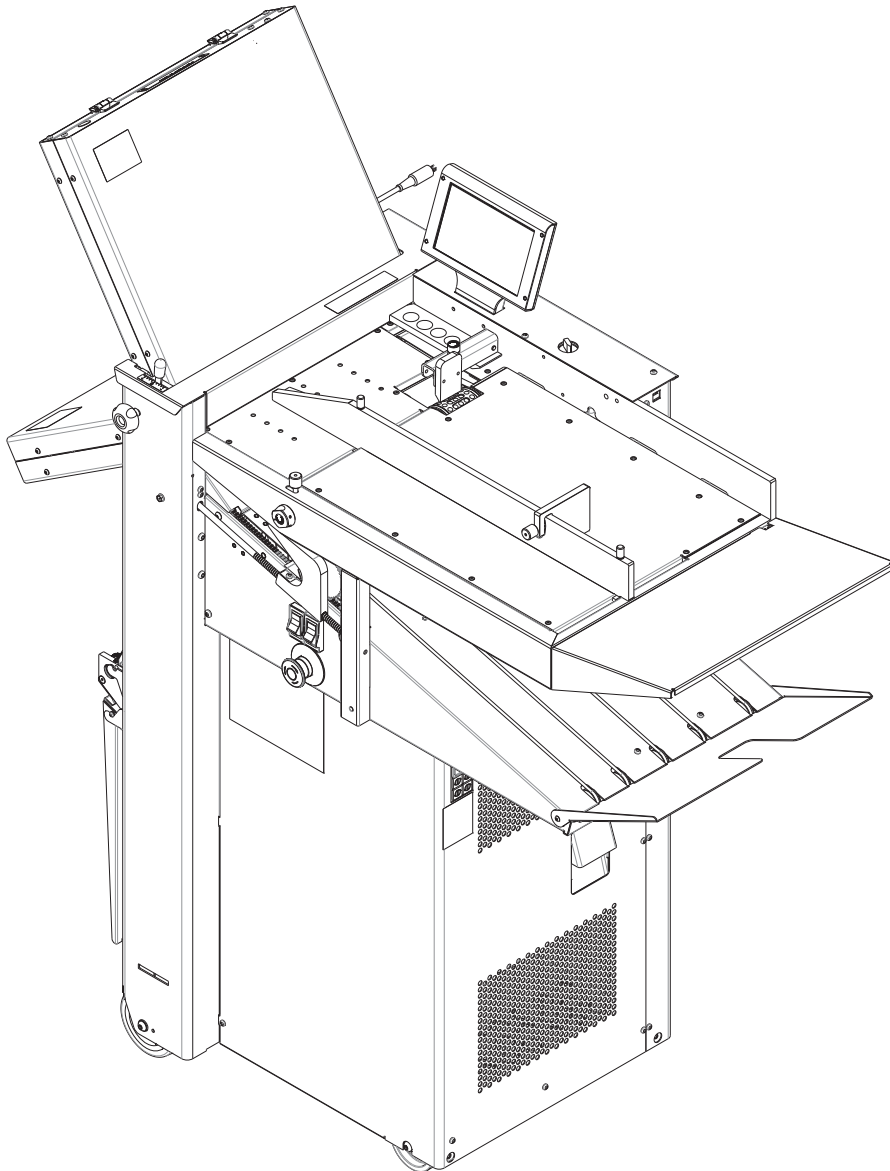
**NOTE....**

**TIP....**

To assist you in quickly finding the section you require, there are numbered tabs positioned down the outside edges of each page.

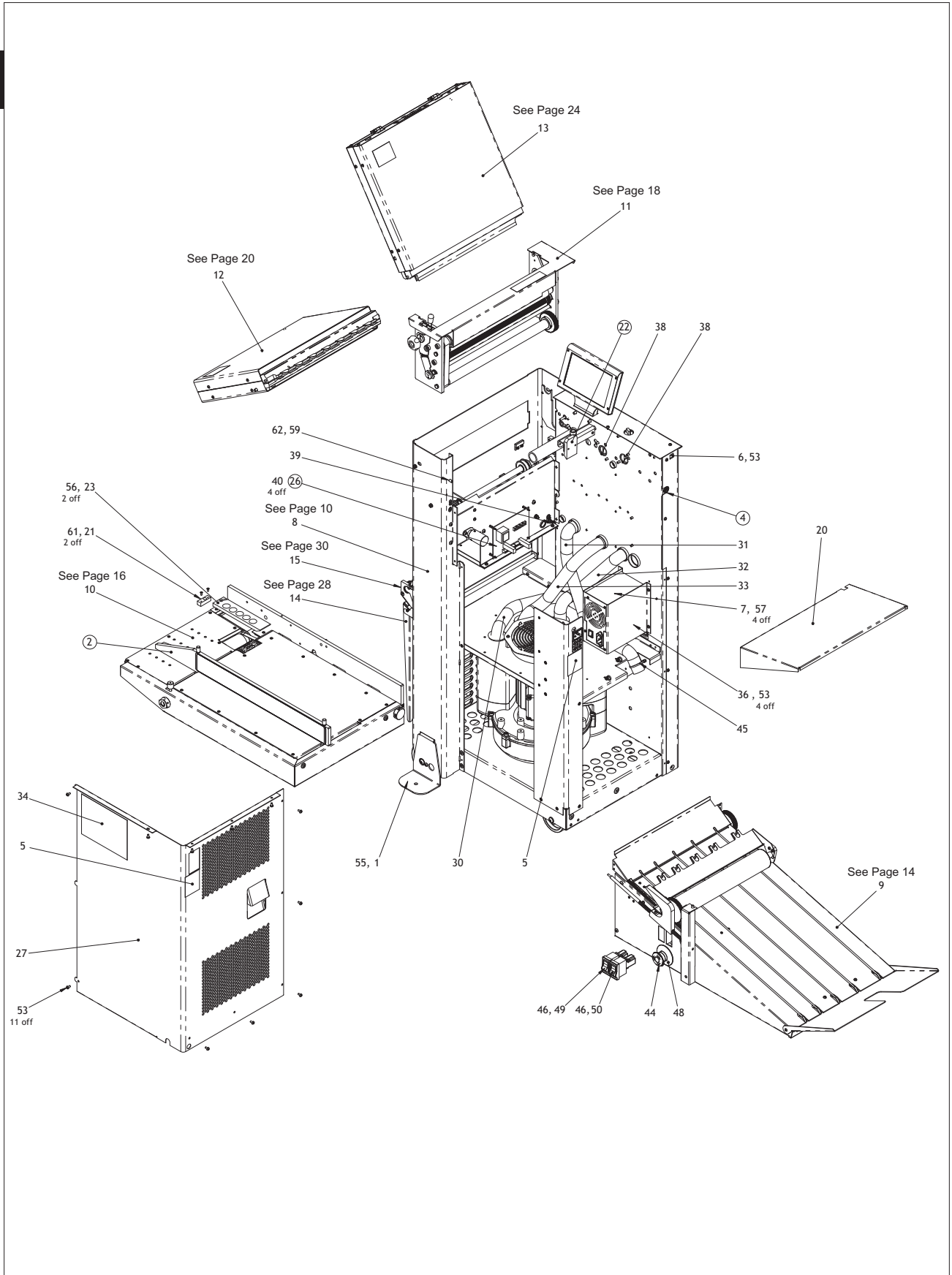
# **morgana**

## **DocuFold Pro**



### **AUTOMATIC PAPER FOLDING MACHINE**

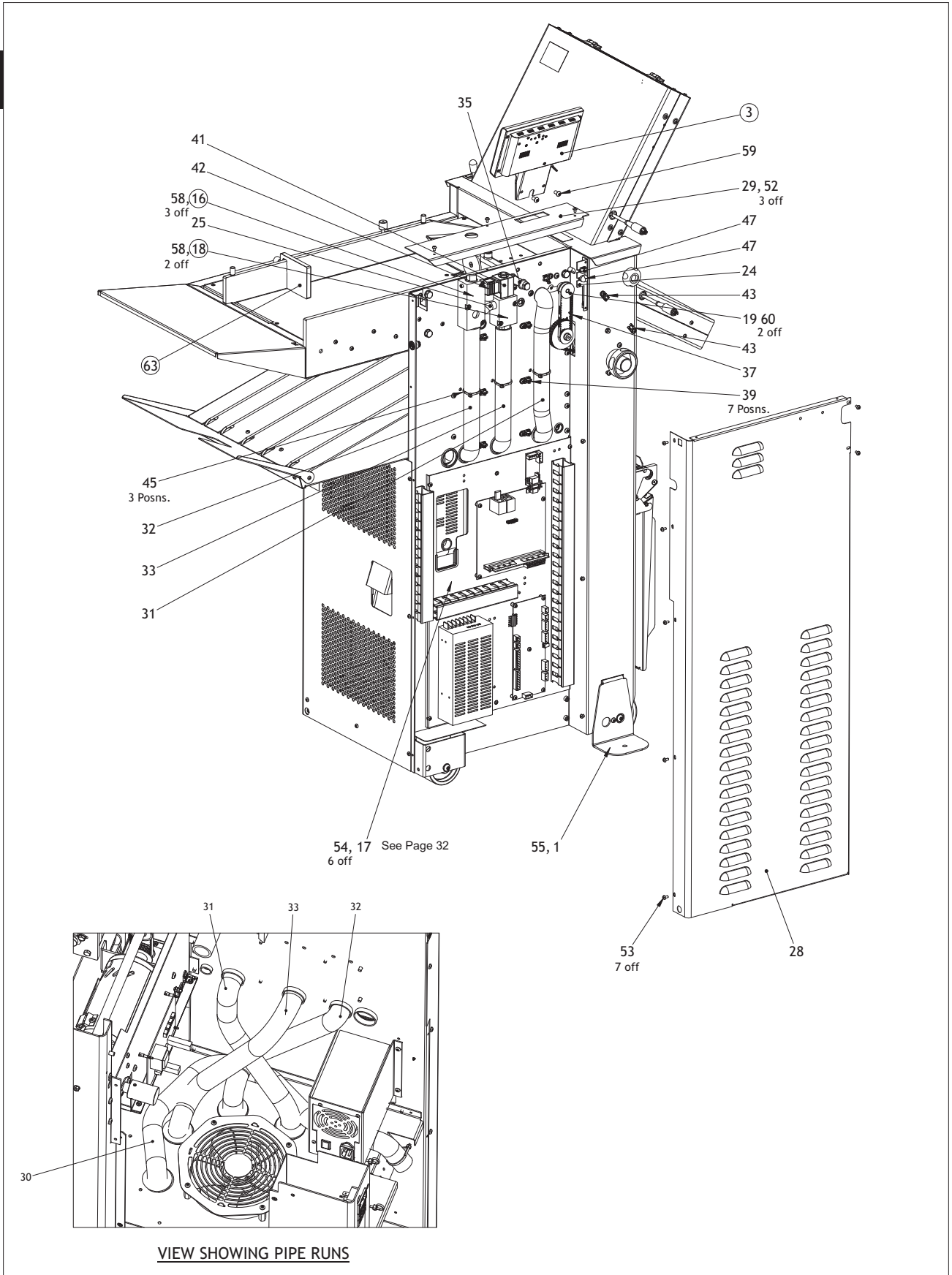
1



ITEM No.	PART No.	QTY.	DESCRIPTION
1	71-083-01	2	OUTRIGGER - AutoCreaser / DocuMaster.
②	74-06-06	1	Moving Sidelay - XPS - Major
④	75-356	1	DIN Socket Assy.
5	95-188	2	Label - Fuse Ratings
6	75-428-01	1	ETHERNET BRACKET - AutoCreaser Mk4.
7	76-272	1	PSU- SWITCHED MODE- ATX12V - 300W
8	9-01-06	1	MAIN FRAME ASSEMBLY - Docufold Pro.
9	9_02_05	1	DELIVERY ASSEMBLY _ Major Pro.
10	9-03-06	1	FEED FRAME ASSY - Major Pro.
11	9-06-06	1	FOLD ROLLER ASSEMBLY - Major pro.
12	9-07-13	1	Fold Plate - Auto Deflect - Wide
13	9-07-14	1	FOLD PLATE - Auto Stop - Major Pro.
14	9-08-06	1	Stacker Assembly - Major - Docufold
15	9-08-12	1	PERFORATOR ASSEMBLY - Metric - Docufold Pro.
20	93-037-02	1	Extension - Loading Table - Major
21	93-042	1	LOWER SENSOR ASSY - Major Pro.
②②	94-083	1	PAPERGATE ASSEMBLY - Rectangular.
23	94-088	1	UPPER - SENSOR ASSY. - Major Pro.
②⑥	95-138	1	DC MOTOR P.C.B. Assy.
27	95-144-01	1	COMPRESSOR PANEL - Major Pro.
30	95-150-01	1	HOSE - Exhaust - Ø25.
31	95-151-01	1	HOSE - Vacuum - Ø25.
32	95-152-01	1	HOSE - Sheet Separation - Ø25.
33	95-153-01	1	HOSE - Valve - Ø25.
34	95-178-01	1	LABEL - DocuFold Pro.
36	173-020-01	1	PSU MOUNTING BRACKET
38	609-013	2	'O' Ring Ø25 x Ø2.5
39	613_027	8	TIE WRAP _ Small.
40	613-185	4	Reverse Locking Support
44	613-365	1	EMERGENCY STOP SWITCH - Double Pole.
45	613-388	4	TIE WRAP - Long.
46	613-396	2	SWITCH SHROUD.
48	613-496	1	Emergency Stop Label
49	652-009	1	SWITCH - Compressor.
50	652-011	1	SWITCH - System.
53	401-02-040-008	28	Screw - Pan Pozi Taptite - M4 x 8 Lg.
55	401-02-050-008	7	Screw - Pan Pozi Taptite - M5 x 8 Lg.
56	401-02-050-020	2	Screw - Pan Pozi Taptite - M5 x 20 Lg.
57	401-04-006-312	4	SCREW-PAN POZI-UNC TAPTITE #6-32 x 5/16"
59	405-01-060-012	3	SCREW - Socket Button Head - M6 x 12 Lg.
61	417_04_006_312	2	Screw - Trunc Csk Hd Taptite - #6-32 UNC x 0.312 Lg
62	481-060	1	WASHER - Plain - M6

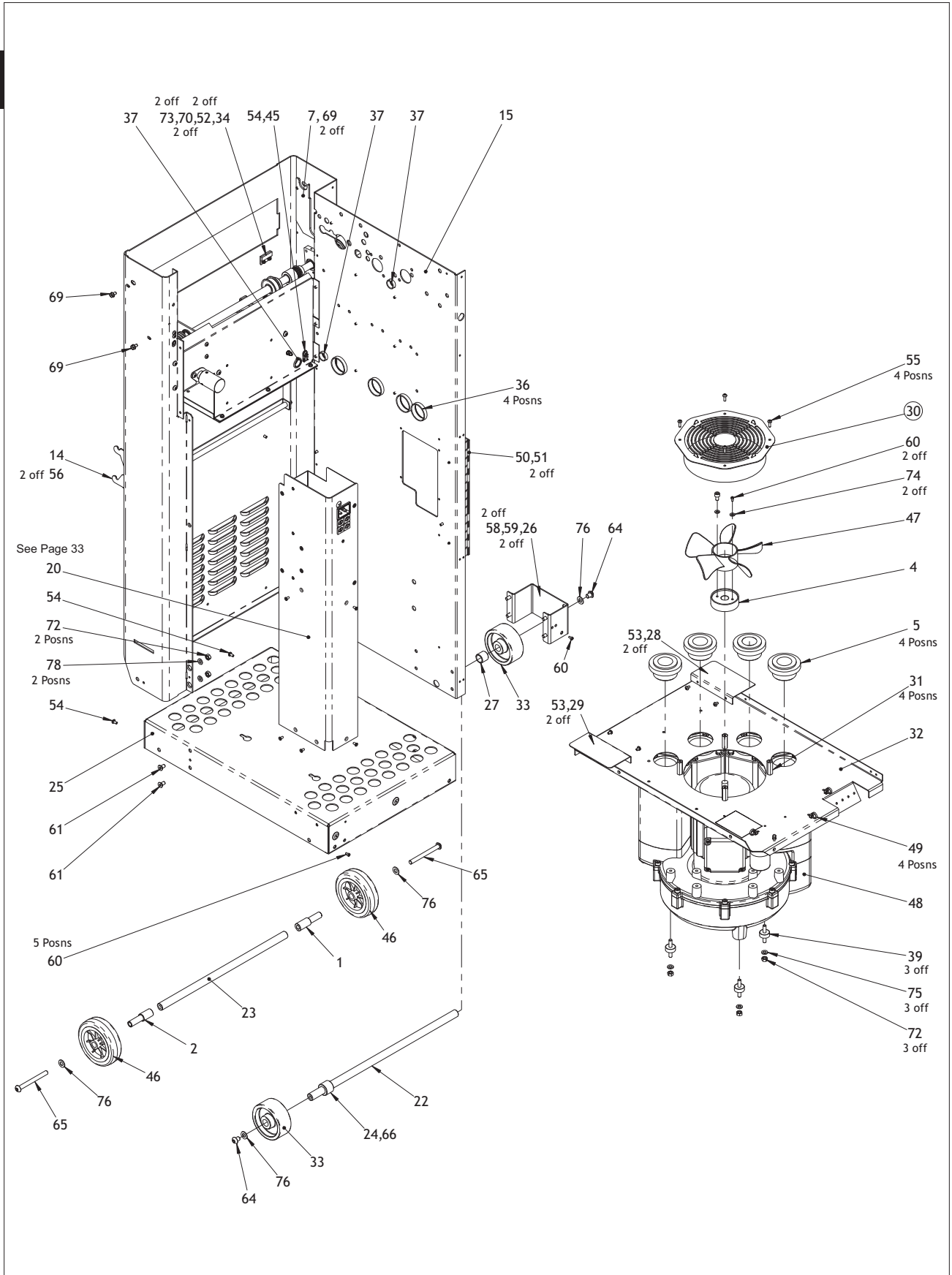
**THIS SECTION IS CONTINUED ON THE FOLLOWING PAGES**

1





2

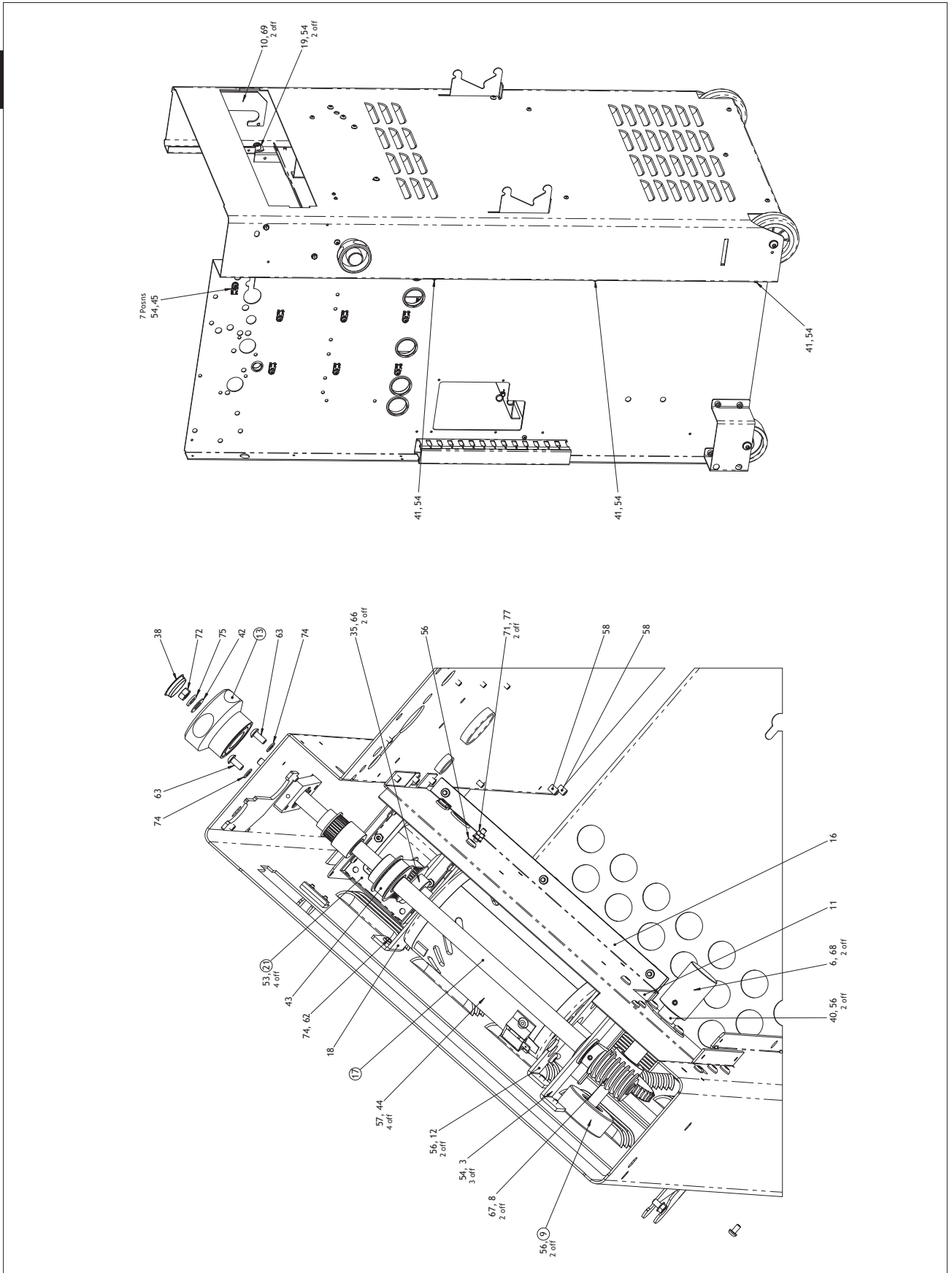


ITEM No.	PART No.	QTY.	DESCRIPTION
1	91-006-06	1	WHEEL TUBE - Lay Side - AutoCreaser 50.
2	91-006-07	1	WHEEL TUBE - Op. Side - DocuFold Pro.
4	91-024-03	1	FAN ADAPTER - Compressor - SV130.
5	91-025	4	BUNG - Compressor Ports.
7	91-033-02	1	LOCATION PLATE - Lay Side.
14	91-110	1	STOWAGE SHAFT ASEMBLY - Major.
15	91-150-01	1	MAIN FRAME - Major Pro.
20	95-149-01	1	LEG ASSEMBLY.
22	71-052-05	1	AXLE - AutoCreaser 33 Mk4.
23	71-052-06	1	AXLE - AutoCreaser 33.
24	71-055-01	1	WHEEL COLLAR
25	71-072-01	1	PLINTH - AutoCreaser 33 Mk4.
26	71-073-01	1	SUPPORT - Wheel Axle.
27	71-079-01	1	SPACER.
28	75-208-02	1	Tower Blank - Lay Side
29	75-208-04	1	Tower Blank - Op Side
30	75-229-02	1	Fan Guard Assy - AutoCreaser 33.
31	75-254-02	4	HEX PILLAR - Fan Spacer - M4
32	75-415-01	1	BAFFLE PLATE - AutoCreaser 33 Mk4.
33	62-006	2	NYLON WHEEL.
34	65-070	1	SWITCH - Proximity.
36	601-015	4	Snap Bushing Ø33.3 x Ø38
37	601-076	3	Snap Bushing Ø15.5 x Ø19
39	601-161	3	VIBRATION MOUNT - Stud.
45	613-339	8	CABLE TIE MOUNTING
46	617-008	2	Wheel - Ø100
47	621-025	1	FAN - PLASTIC 5 BLADE 6" CCW
48	621-029	1	BLOWER - SV130.
49	650-028	4	CABLE TIE MTG. - Push Fit.
50	650-096	1	Open Slot Trunking 25mm x 37.5mm
51	650-097	2	SNAP RIVET - NYLON - Ø4.2 HOLE
52	401-02-030-010	2	Screw - Pan Pozi Taptite - M3 x 10 Lg.
53	401-02-040-006	8	Screw - Pan Pozi Taptite - M4 x 6 Lg.
54	401-02-040-008	26	Screw - Pan Pozi Taptite - M4 x 8 Lg.
55	401-02-040-012	4	Screw - Pan Pozi Taptite - M4 x 12 Lg.
56	401-02-050-008	14	Screw - Pan Pozi Taptite - M5 x 8 Lg.
58	403-01-060-010	5	SCREW - Socket Cap Head - M6 x 10 Lg.
59	403-01-060-012	2	SCREW - Socket Cap Head - M6 x 12 Lg.
60	403-01-030-006	3	SCREW - Socket Cap Head - M3 x 6 Lg.
61	404-01-060-012	2	SCREW - Socket Countersunk Head - M6 x 12 Lg.
64	405-01-080-010	2	SCREW - Socket Button Head - M8 x 12 Lg.
65	405-01-080-080	2	SCREW - Socket Button Head - M8 x 50 Lg.
66	409-01-040-006	3	Screw - Skt Set Screw - Flat Pt. - M4 x 6 Lg.
69	415-02-050-008	4	Screw - Hexagon Head - Taptite - M5 x 8 Lg.
71	461-01-040	2	NUT - Full - M4
72	461-01-060	6	NUT - Full - M6
73	481-030	2	WASHER - Plain - M3
74	481-050	5	WASHER - Plain - M5
75	481-060	6	WASHER - Plain - M6
76	481-080	4	WASHER - Plain - M8

2

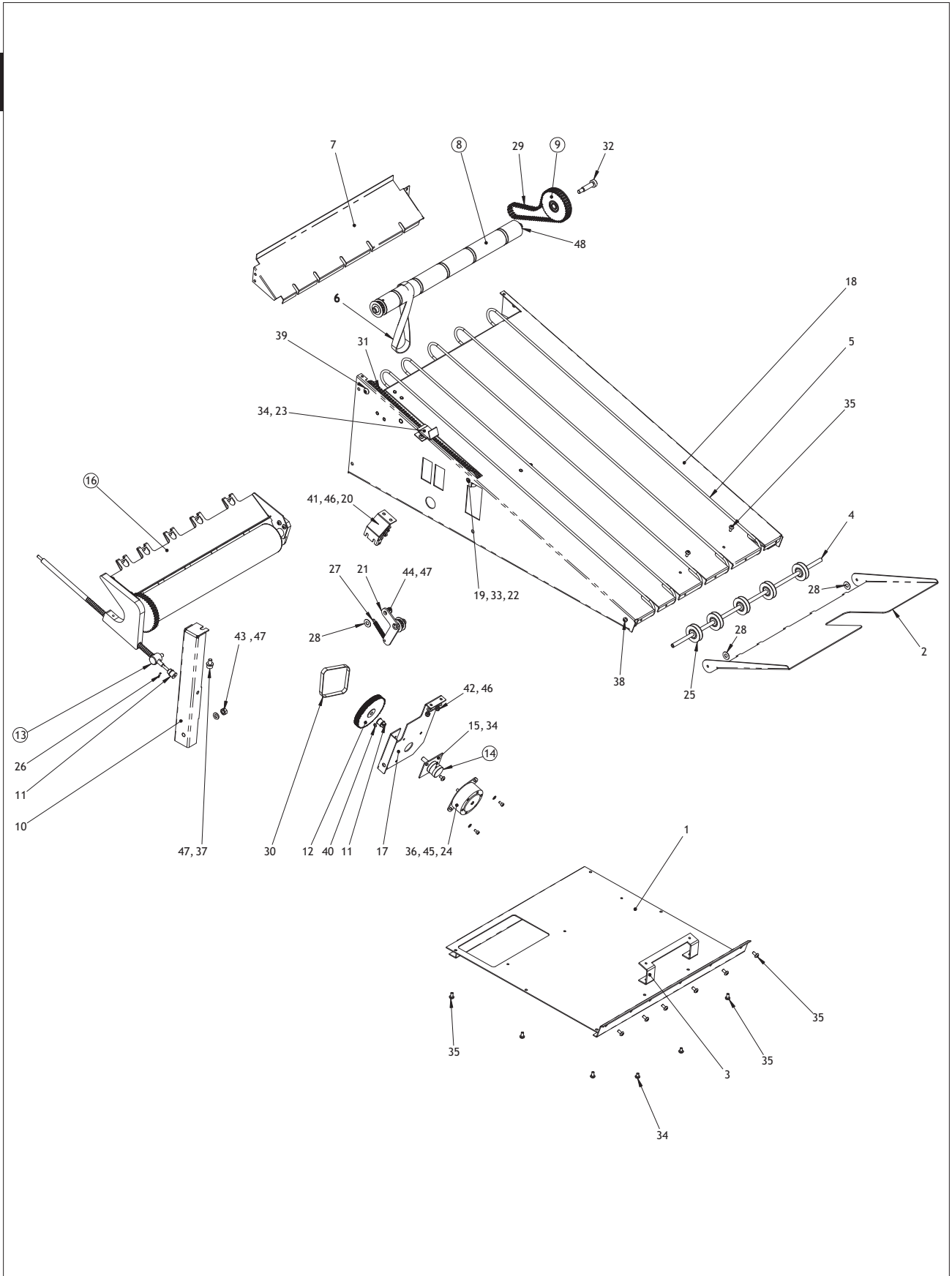
**THIS SECTION IS CONTINUED ON THE FOLLOWING PAGES**

2





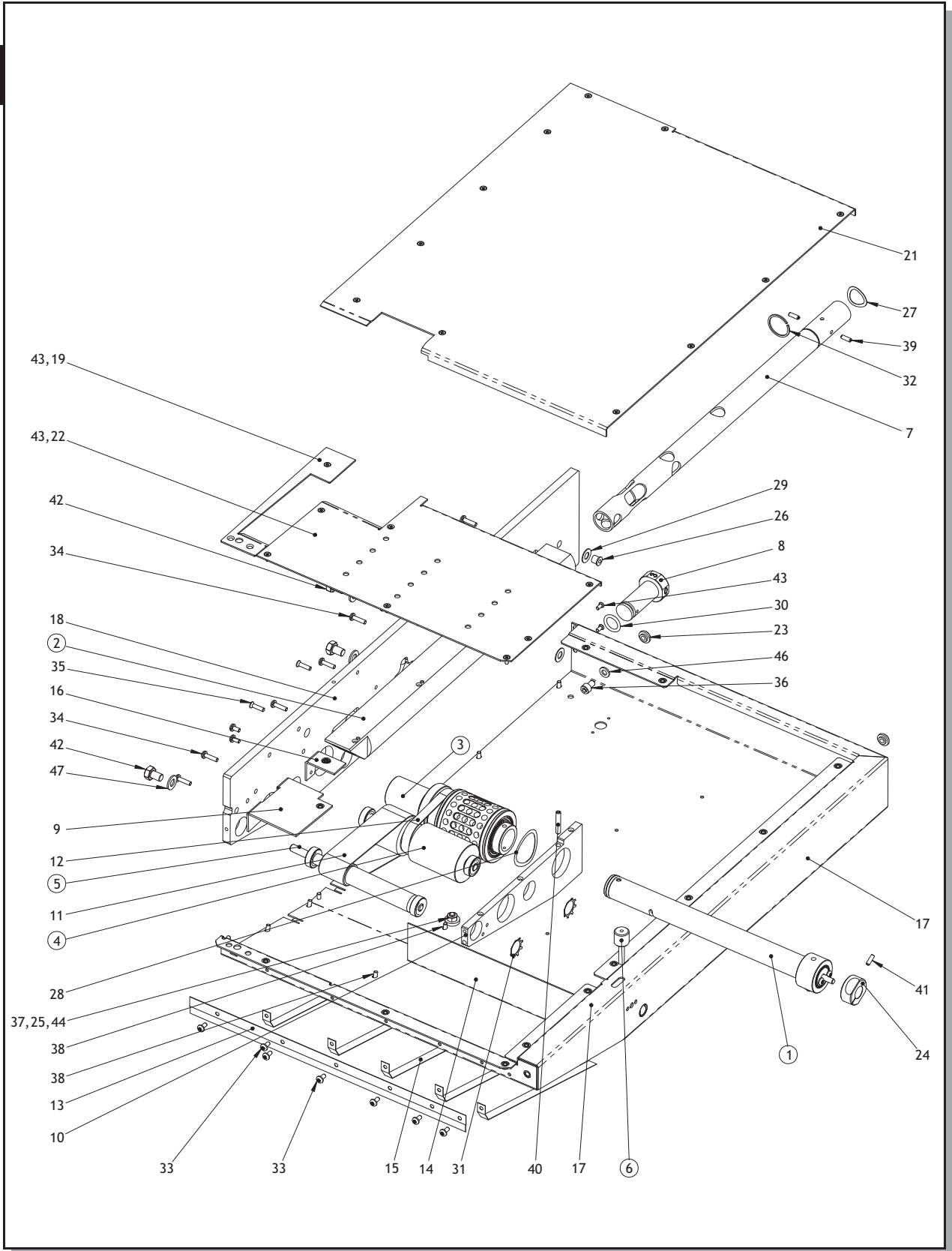
3



ITEM No.	PART No.	QTY.	DESCRIPTION
1	92-002-03	1	DELIVERY COVER - Lower - DocuFold Pro.
2	92-003-02	1	STACKER - Hinged.
3	92-004	1	SUPPORT STRAP.
4	92-005-02	1	Shaft-Delivery Idler
5	92-010	5	Transport Belt - Delivery
6	92-027-01	1	Flat Drive Belt - Delivery
7	92-028-03	1	CORD GUARD - Delivery - DocuFold Pro.
8	92-029-03	1	CORD ROLLER ASSEMBLY - Delivery - DocuFold Pro.
9	92-030	1	Delivery Idler Assy
10	92-040-02	1	Grab Handle - Auto - Wide Docufold
11	92-042	2	Timing Pulley - T2.5 - 13T
12	92-043	1	Timing Pulley - T2.5 - 84T
13	92-045	1	SUPPORT BARREL ASSEMBLY - Major Pro.
14	95-187	1	Pot & Lead Assy.
15	92-049	1	MOUNTING PLATE - Pot.
16	92-059-01	1	DELIVERY ROLLER ASSEMBLY - Major pro.
17	92-052-01	1	Mounting Chassis - Motor - Wide Docufold
18	92-058-01	1	DELIVERY FRAME - DocyFold Pro.
19	92-063-01	1	SPINDLE - Delivery Roller Idler.
20	92-064-01	1	BRACE - Delivery Frame - DocuFold Pro.
21	92-067-01	1	BELT TENSIONER ASSEMBLY.
22	92-069-01	1	DELIVERY IDLER PULLEY ASSEMBLY - DocuFold Pro.
23	92-070-01	1	PULLEY GUARD - Delivery.
24	97-076	1	Stepper Motor & Lead Assy
25	602-047	5	Idler Pulley
26	603-069	1	Spirol Pin - Ø5/64" x 3/8" Lg.
27	604-021	1	SPRING - Extension.
28	605-040	3	Thrust Washer - Ø8 x Ø15.88 x 0.79
29	607-022	1	Twin Gip Timing Belt - 140XLD/12
30	607-160	1	Timing Belt
31	607-186	1	Twin Gip Timing Belt - 115XLD/025
32	608-006	1	Shoulder Bolt - Ø8(M6) x 25 Lg.
33	615-010	1	CIRCLIP - EXTERNAL - Ø10
34	401-02-040-006	5	Screw - Pan Pozit Taptite - M4 x 6 Lg.
35	401-02-040-008	14	Screw - Pan Pozit Taptite - M4 x 8 Lg.
36	403-01-030-006	2	SCREW - Socket Cap Head - M3 x 6 Lg.
37	403-01-060-010	1	SCREW - Socket Cap Head - M6 x 10 Lg.
38	405-01-040-008	2	SCREW - Socket Button Head - M4 x 8 Lg.
39	405-01-060-012	1	SCREW - Socket Button Head - M6 x 12 Lg.
40	409-01-040-008	1	Screw - Skt Set Screw - Flat Pt. - M4 x 8 Lg.
41	461-01-040	4	NUT - Full - M4
42	464-01-040	2	NUT - NYLOC - M4
43	461-01-060	1	NUT - Full - M6
44	464-01-060	1	NUT - NYLOC - M6
45	481-030	2	WASHER - Plain - M3
46	481-040	6	WASHER - Plain - M4
47	481-060	4	WASHER - Plain - M6
48	481-080	1	WASHER - Plain - M8

3

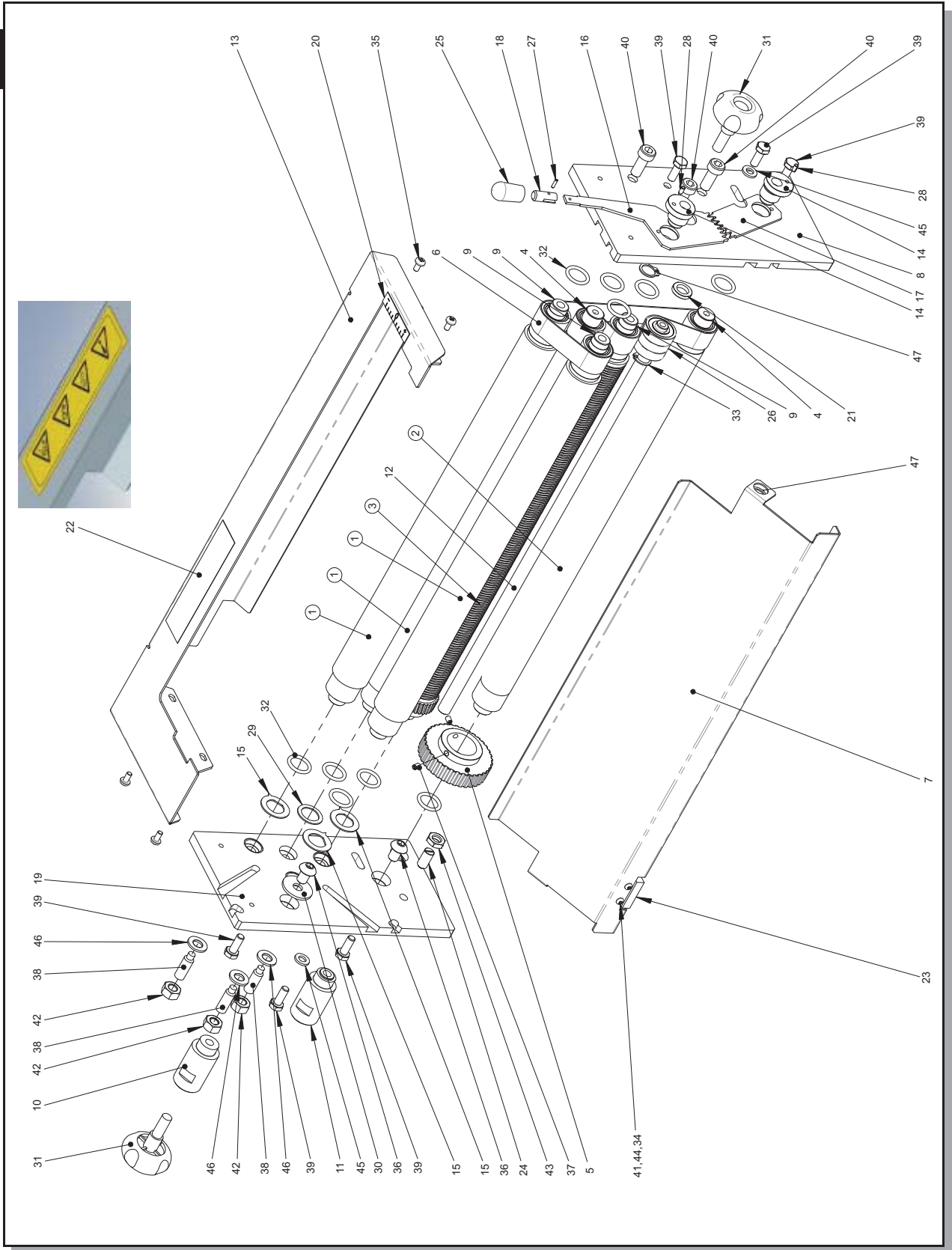
4



ITEM No.	PART No.	QTY.	DESCRIPTION
①	73-05-02	1	CHOKE BLEED ASSEMBLY - Major.
②	93-029	1	Manifold Tube Assy
③	93-030-02	1	VACUUM ROLLER ASSY - With Sensor
④	93-031	1	Feed Drum Assy - Idler
⑤	93-032	1	Feed Drum Assy - Drive
⑥	92-054	1	KNOB ASSY. - Choke Adjuster.
7	93-004	1	Air Distribution Tube
8	93-005	1	Knob - Air Distribution
9	93-007	1	BELT SUPPORT.
10	93-010	1	Support Plate
11	93-021	1	Feed Belt
12	93-022	1	Vacuum Roller Drive Belt
13	93-024-02	1	Anti-Static Brush Strip
14	93-027-02	1	Baffle - Feed System
15	93-028	5	Smoother - Delivery
16	93-033	1	Support Bracket - Control Bed
17	93-040-01	1	FRAME - Feed System - Major Pro.
18	93-041-01	1	MANIFOLD PLATE - Major Pro.
19	94-003	1	CONTROL BED.
20	94-021	1	LABEL - Papergate 'UP'.
21	94-051-02	1	LOADING TABLE - Major.
22	94-052-02	1	Feed Bed
23	73-004	2	Key Hole Latch - Creaser
24	73-066-01	1	KNOB - Vac Bleed
25	51-095	1	Clamp Washer
26	601-088	1	Spring Plunger - Press In
27	604-060	1	WAVED WASHER.
28	604-062	1	Waved Washer
29	605-004	2	Thrust Washer - Ø8 x Ø15.88 x 0.79
30	609-014	1	'O' Ring Ø15 x Ø3
31	615-035	2	Metric Push-in Fix
32	615-040	1	Retaining Ring - External - Ø25
33	401-02-040-008	16	Screw - Pan Pozi Ta ptite - M4 x 8 Lg.
34	401-02-040-016	9	Screw - Pan Pozi Ta ptite - M4 x 16 Lg.
35	402-02-040-016	2	Screw - Csk Hd. Ta ptite - M4 x 16 Lg.
36	403-01-060-010	2	SCREW - Socket Cap Head - M6 x 10 Lg.
37	403-01-060-012	1	SCREW - Socket Cap Head - M6 x 12 Lg.
38	403-01-040-008	4	SCREW - Socket Cap Head - M4 x 8 Lg.
39	407-01-040-012	2	Screw - Socket Set Knurled - M4 x 12 Lg.
40	408-01-050-030	1	Screw Skt Cone Pt - M5 x 30 Lg.
41	409-01-040-012	1	Screw - Skt Set Screw - Flat Pt. - M4 x 12 Lg.
42	414-01-080-012	3	Bolt - Hexagon Head - M6 x 12 Lg.
43	417-04-006-312	21	Screw - Csk Hd. Ta ptite - #6-32 UNC x 0.312 Lg
44	461-01-060	1	NUT - Full - M6
45	481-040	4	WASHER - Plain - M4
46	481-060	2	WASHER - Plain - M6
47	481-080	3	WASHER - Plain - M8

4

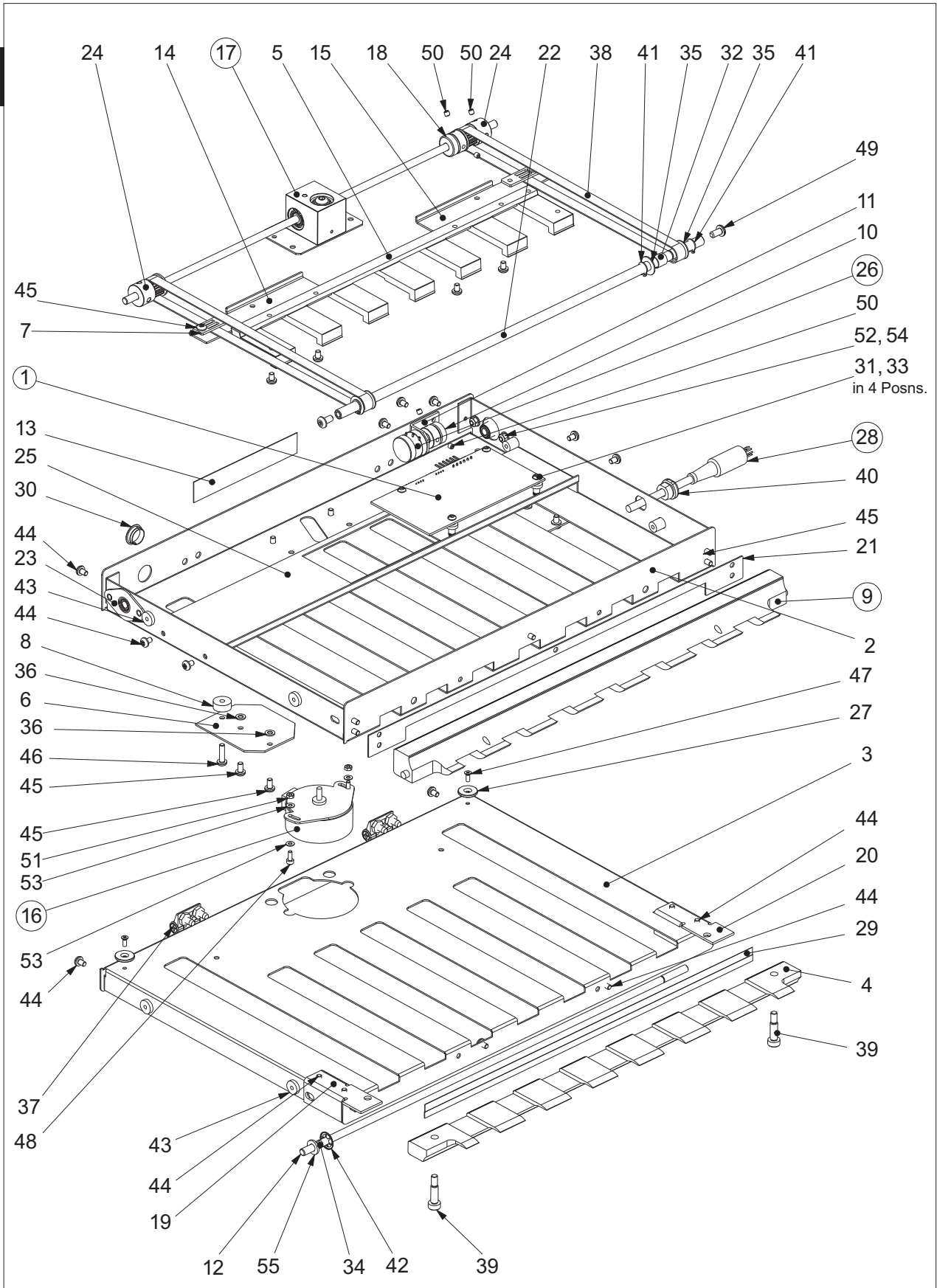
5



ITEM No.	PART No.	QTY.	DESCRIPTION
①	96-028-02	3	Fold Roller Assy - Standard - Wide
②	96-036-02	1	Drive Roller Assy - Crowned - Wide
③	96-049-02	1	FOLD ROLLER ASSY. - Bottom - Wide - Major.
4	96-009-02	2	Roller Support Shaft
5	96-010	1	Large Tube Pulley - 36XL
6	96-031	1	DRIVE BELT - Wide.
7	96-032-02	1	Roller Guard - Wide Belt
8	96-037	1	Side Plate (Gap) - Op Side
9	96-039-02	3	Roller Shaft (Gap Set)
10	96-040-02	1	BUSH - Roller Tilt - DocuFold Pro.
11	96-040-03	1	BUSH - Roller Tilt - DocuFold Pro.
12	96-041-02	1	Idler Shaft
13	96-042-03	1	ENTRY GUARD - Major Pro.
14	96-043	2	Eccentric Bush - Roller Tilt
15	96-044	3	Indicator - Roller Position
16	96-045	1	Tilt Lever - Toothed
17	96-046	1	Tilt Plate - Toothed
18	96-047	1	Knob - Roller Tilt Lever
19	96-052	1	Side Plate (Gap) - Lay Side
20	96-053	1	Label - Roller Tilt
21	12-013	1	SPACER.
22	123-059	1	Label - Safety Warnings
23	601-021	1	Magnetic Actuator
24	601-081	1	Spring Plunger
25	601-111	1	Tapered Ferrule
26	602-001	3	BEARING-Deep Groove Ball - 6000ZZ
27	603-033	1	Tension Pin - Ø2 x 8 Long
28	603-060	2	Spirol Coiled - Ø3 x 6 Lg.
29	605-049	1	WASHER - Ø15 x Ø21 x 1
30	605-075	1	Mudguard Washer - Ø25 x M8
31	606-030	2	Scallop Knob - Black
32	609-023	10	O' Ring Ø15 x Ø2.5
33	615-005	1	Circlip-External-No Groove M1440-0100
34	401-02-030-008	2	Screw - Pan Pozi Taptite - M3 x 8 Lg.
35	401-02-040-008	4	Screw - Pan Pozi Taptite - M4 x 8 Lg.
36	405-01-080-012	2	SCREW - Socket Button Head - M8 x 12 Lg.
37	407-01-040-006	2	Screw - Socket Set Knurled - M4 x 6 Lg.
38	411-01-080-025	3	SCREW - Skt Set Dog Pt. - M8 x 25 Lg.
39	415-01-060-016	6	Hex Hd. Setscrew - M6 x 16 Lg.
40	419-01-080-012	3	Screw - Skt. - Low Hd. Cap - M8 x 12
41	461-01-030	2	NUT - Full - M3
42	461-01-080	3	NUT - Full - M8
43	462-01-080	1	Half Nut - M8
44	481-030	2	WASHER - Plain - M3
45	481-060	2	WASHER - Plain - M6
46	481-080	3	WASHER - Plain - M8
47	615-015	2	Circlip External Ø12

5

**6**

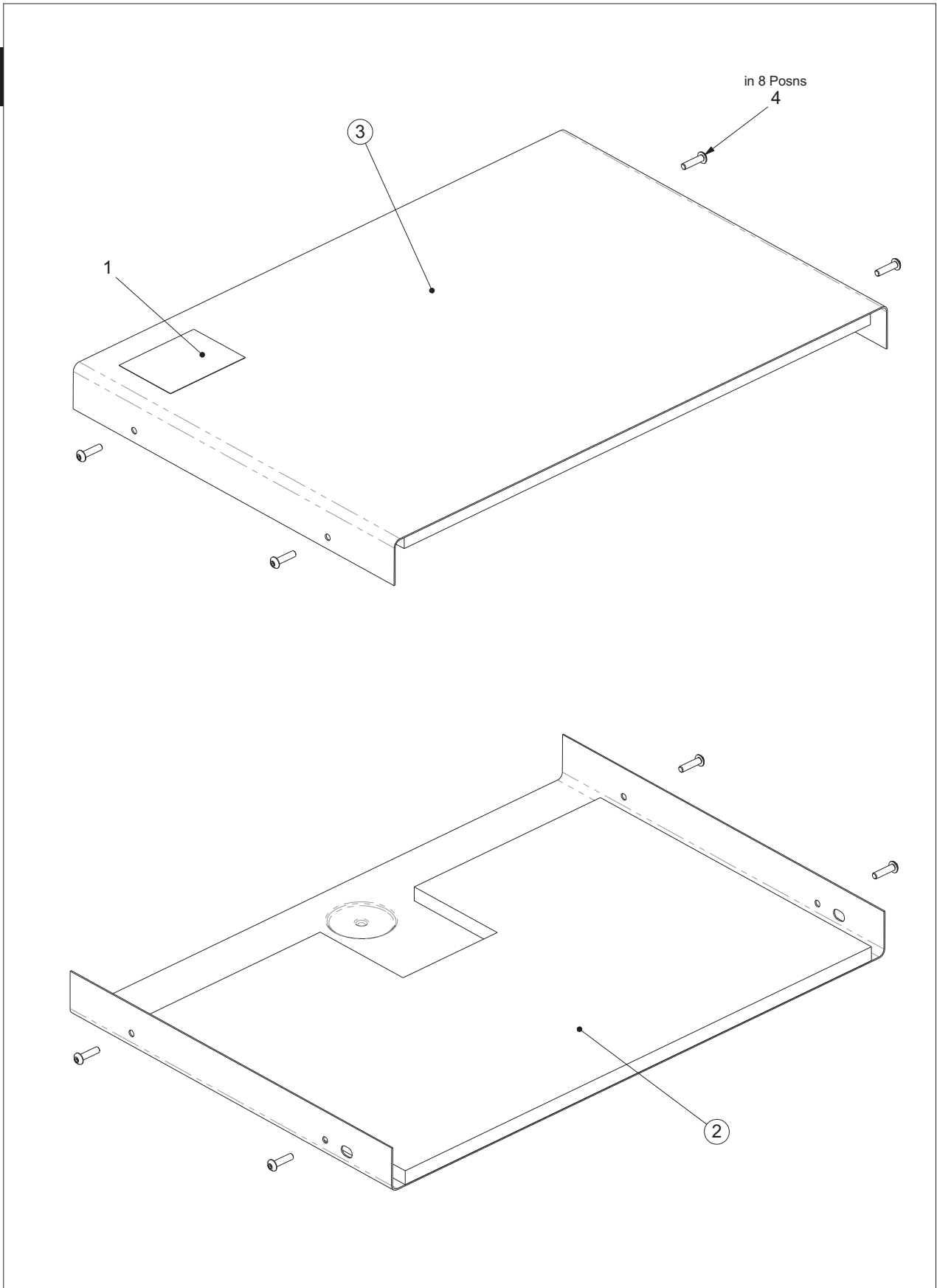


ITEM No.	PART No.	QTY.	DESCRIPTION
①	90-08-01	1	Fold Plate Motor Drive PCB
2	97-001-02	1	Top Box - Deflector - Wide
3	97-003-02	1	Bottom Box - Deflector - Wide
4	97-007-02	1	Bottom Rail - Deflector
5	97-009-03	1	Deflector (Extruded)
6	97-012	2	Deflector Guide
7	97-016	2	Belt Clamp
8	97-017	2	GUIDE SPACER - Carriage
⑨	97-019-02	1	Top Rail Assy - Deflector - Wide
10	97-032	1	Control Gear - Pot
11	97-033	1	Potentiometer Bracket
12	97-034-02	1	Latching Shaft
13	97-038	1	Label - Pull Down to Lock
14	97-073-02	1	Deflector Carraige - Op Side
15	97-074-02	1	Deflector Carraige - Drive Side
⑬	97-076	1	Stepper Motor & Lead Assy
⑰	97-085-02	1	Gearbox Assy - Auto Plate - Wide
18	97-086	1	CONTROL GEAR - Shaft.
19	97-087	1	Latching Bracket - Op Side
20	97-088	1	Latching Bracket - Lay Side
21	97-093-02	1	SPACER PLATE - Top Rail (Defl.) - Major.
22	97-107-02	1	Idler Shaft - Auto Idlers
23	97-108	2	Flange - Needle Bearing
24	97-109	2	Control Pulley 10XL Flanged Auto
25	97-116-02	1	Bracket - Motor PCB - Wide
⑳	97-121	1	Pot & Lead Assy.
27	97-144-01	2	SPACER - Fold Plate.
㉑	97-147	1	Lead - Lower Fold Plate to PCB
29	98-013-02	1	ANTI-STATIC STRIP (Tape).
30	601-091	1	SHORTY PLUG.
31	601-121	4	Nylon Screw Pan Hd Slotted #6-32 x 5/16"
32	602-064	2	BEARING - Dawn Cup Needle Roller - HK0810
33	603-065	4	Washer - Nylon - Ø3.3 x Ø9.7 x 2.4 Long
34	604-065	1	SPRING - Compression
35	605-004	4	Thrust Washer - Ø8 x Ø15.88 x 0.79
36	605-042	4	Nylon Washer - Ø4.3x Ø8 x 1.0
37	606-019	2	Hinge - Adjustable Black Acetyl
38	607-026	2	Toothed Belt - 132XL
39	608-004	2	Shoulder Bolt - Ø6(M5) x 16 Lg.
40	613-151	1	Strain Relief Bush
41	615-007	4	CIRCLIP - External - Ø8
42	615-027	1	Starlock Washer - Ø6
43	615-032	8	Flex Loc Bush - M4
44	401-02-040-006	23	Screw - Pan Pozi Taptite - M4 x 6 Lg.
45	401-02-040-008	12	Screw - Pan Pozi Taptite - M4 x 8 Lg.
46	401-02-040-016	2	Screw - Pan Pozi Taptite - M4 x 16 Lg.
47	402-02-030-080	2	SCREW - Countersunk Pozi Taptite - M6 x 8 Lg.
48	403-01-030-008	2	Screw - Socket Cap Head - M3 x 8 Lg.
49	405-01-050-010	2	Screw - Button Hd. - M5 x 10 Lg.
50	409-01-040-004	8	Screw - Socket Set - Flat Point - M4 x 4 Lg.
51	461-01-030	2	Nut - Full - M3
52	461-01-040	4	Nut - Full - M4
53	481-030	4	Washer - Plain - M3
54	481-040	4	Washer - Plain - M4
55	481-060	1	Washer - Plain - M6

**6**

**THIS SECTION IS CONTINUED ON THE FOLLOWING PAGES**

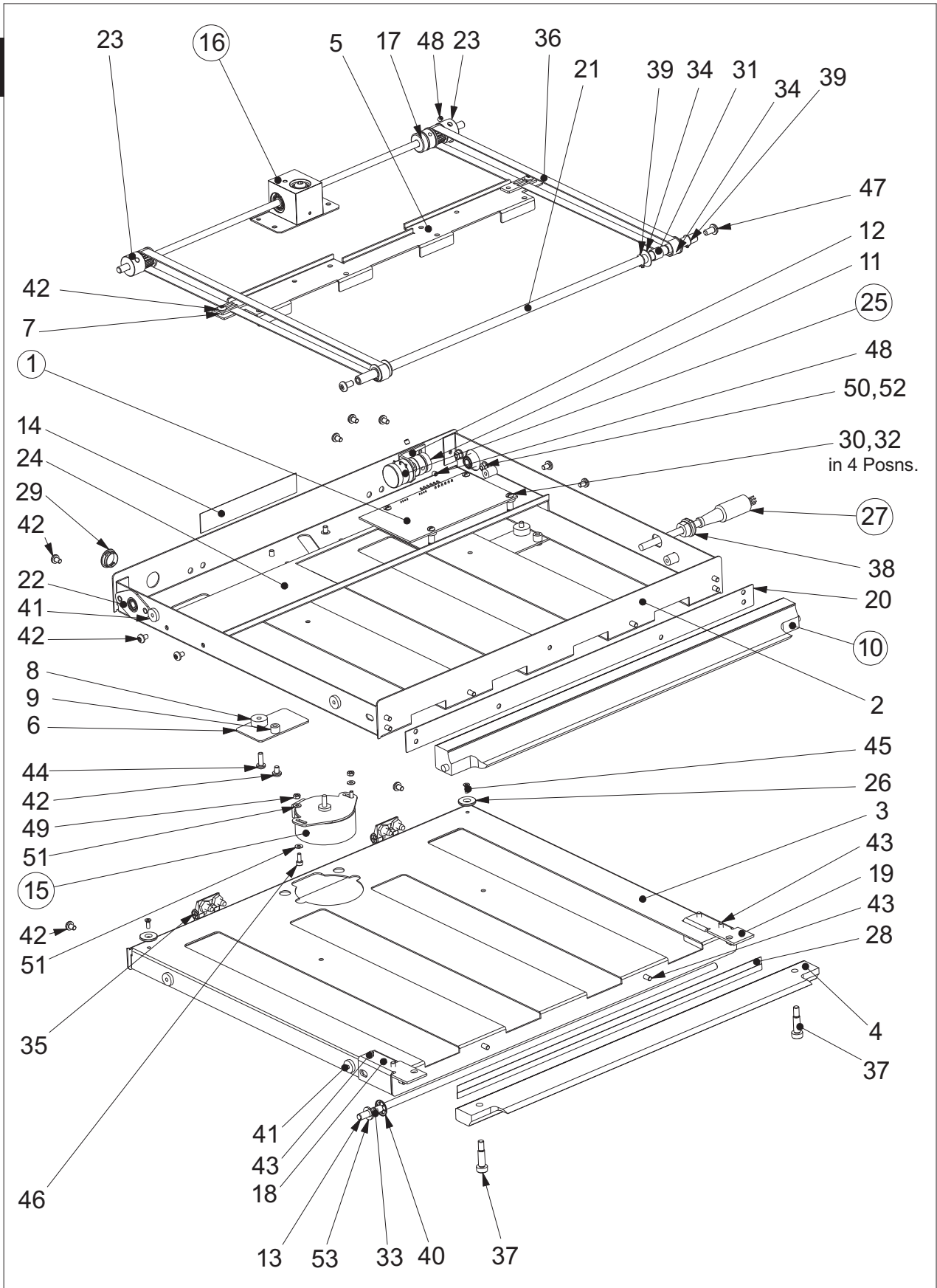
6



ITEM No.	PART No.	QTY.	DESCRIPTION
1	75-465-01	1	LABEL - Morgana - Small
②	97-065-02	1	Bottom Cover Assy - Digital Deflector - Wide
③	97-081-02	1	Top Cover Assy - Auto Deflect - Wide
4	405-01-040-016	8	SCREW - Socket Button Head - M4 x 16 Lg.



7

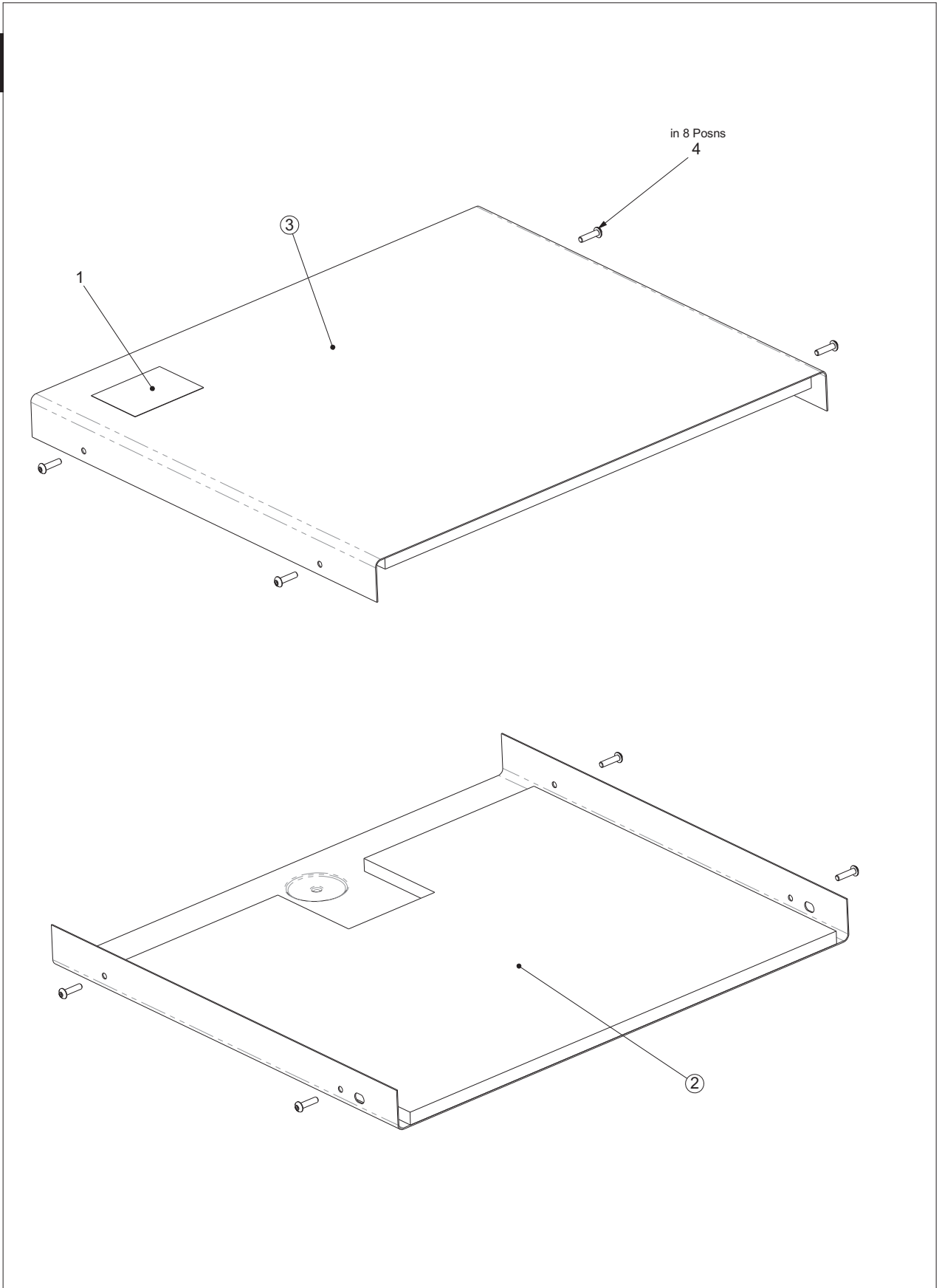


ITEM No.	PART No.	QTY.	DESCRIPTION
①	90-08-01	1	Fold Plate Motor Drive PCB
2	97-002-02	1	Top Box - Stop - Wide
3	97-004-02	1	Bottom Box - Stop - Wide
4	97-008-02	1	Bottom Rail - Stop
5	97-010-03	1	Stop
6	97-014	2	Stop Guide
7	97-016	2	Belt Clamp
8	97-017	2	GUIDE SPACER - Carriage
9	97-018	2	STOP SPACER - Carriage.
⑩	97-020-02	1	Top Rail Assy - Stop - Wide
11	97-032	1	Control Gear - Pot
12	97-033	1	Potentiometer Bracket
13	97-034-02	1	Latching Shaft
14	97-038	1	Label - Pull Down to Lock
⑮	97-076	1	Stepper Motor & Lead Assy
⑯	97-085-02	1	Gearbox Assy - Auto Plate - Wide
17	97-086	1	CONTROL GEAR - Shaft.
18	97-087	1	Latching Bracket - Op Side
19	97-088	1	Latching Bracket - Lay Side
20	97-094-02	1	Spacer Plate - Top Rail (Stop)
21	97-107-02	1	Idler Shaft - Auto Idlers
22	97-108	2	Flange - Needle Bearing
23	97-109	2	Control Pulley 10XL Flanged Auto
24	97-116-02	1	Bracket - Motor PCB - Wide
⑳	97-121	1	Pot & Lead Assy.
26	97-144-01	2	SPACER - Fold Plate.
㉑	97-146	1	Lead - Upper Fold Plate to PCB
28	98-013-02	1	ANTI-STATIC STRIP (Tape).
29	601-091	1	SHORTY PLUG.
30	601-121	4	Nylon Screw Pan Hd Slotted #6-32 x 5/16"
31	602-064	2	BEARING - Dawn Cup Needle Roller - HK0810
32	603-065	4	Washer - Nylon - Ø3.3 x Ø9.7 x 2.4 Long
33	604-065	1	SPRING - Compression
34	605-004	4	Thrust Washer - Ø8 x Ø15.88 x 0.79
35	606-019	2	Hinge - Adjustable Black Acetyl
36	607-025	2	Toothed Belt - 132XL
37	608-004	2	Shoulder Bolt - Ø6(M5) x 16 Lg.
38	613-151	1	Strain Relief Bush
39	615-007	4	CIRCLIP - External - Ø8
40	615-027	1	Starlock Washer - Ø6
41	615-032	8	Flex Loc Bush - M4
42	401-02-040-006	16	Screw - Pan Pozi Taptite - M4 x 6 Lg.
43	401-02-040-008	14	Screw - Pan Pozi Taptite - M4 x 8 Lg.
44	401-02-040-012	2	Screw - Pan Pozi Taptite - M4 x 12 Lg.
45	402-02-030-080	2	SCREW - Countersunk Pozi Taptite - M6 x 8 Lg.
46	403-01-030-008	2	Screw - Socket Cap Head - M3 x 8 Lg.
47	405-01-050-010	2	Screw - Button Hd. - M5 x 10 Lg.
48	409-01-040-004	6	Screw - Socket Set - Flat Point - M4 x 4 Lg.
49	461-01-030	2	Nut - Full - M3
50	461-01-040	4	Nut - Full - M4
51	481-030	4	Washer - Plain - M3
52	481-040	4	Washer - Plain - M4
53	481-060	1	WASHER - Plain - M6

7

**THIS SECTION IS CONTINUED ON THE FOLLOWING PAGES**

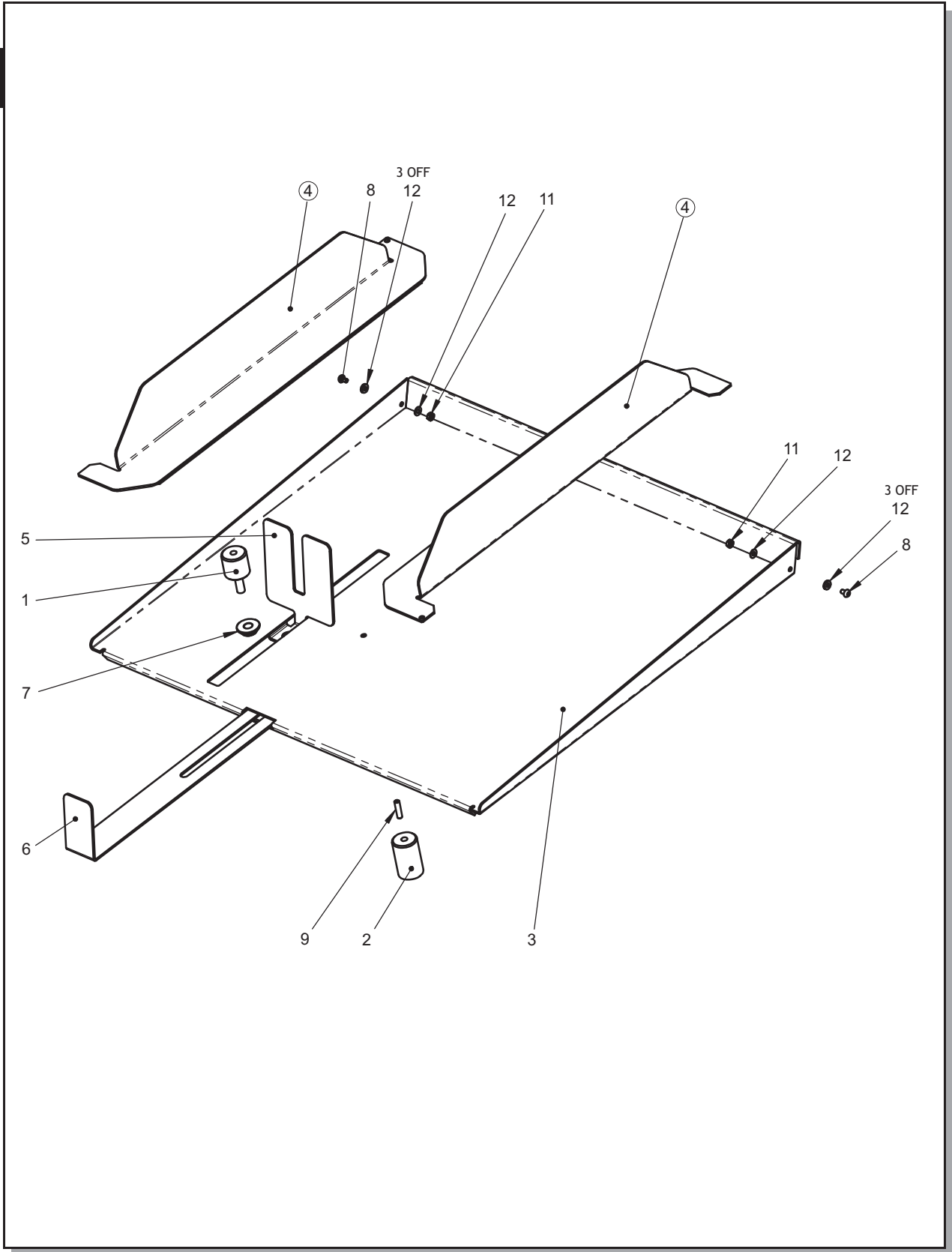
7



ITEM No.	PART No.	QTY.	DESCRIPTION
1	75-465-01	1	LABEL - Morgana - Small
②	97-066-02	1	Bottom Cover Assy - Digital Stop - Wide
③	97-082-02	1	Top Cover Assy - Auto Stop - Wide
4	405-01-040-016	8	SCREW - Socket Button Head - M4 x 16 Lg.

7

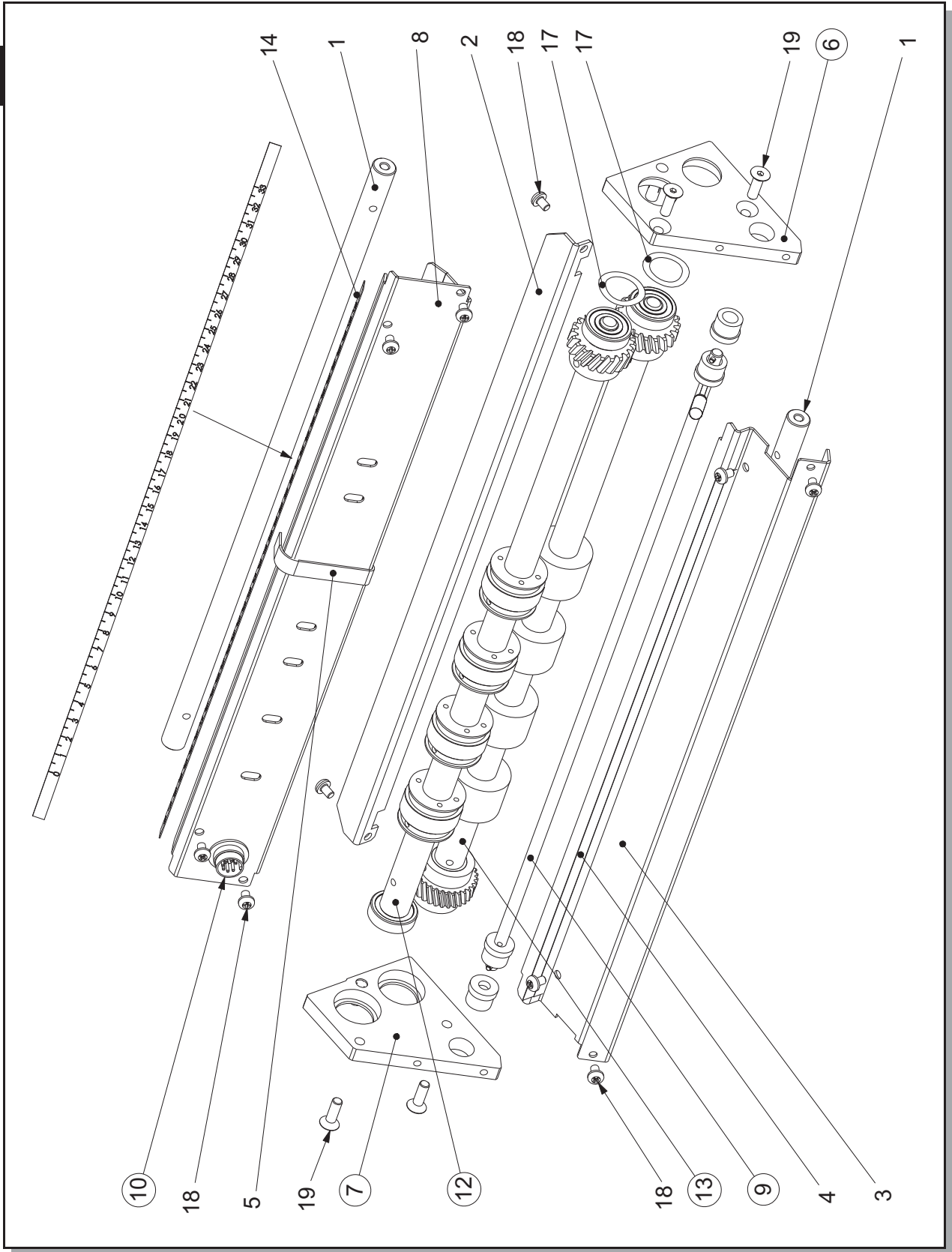
8



ITEM No.	PART No.	QTY.	DESCRIPTION
1	28-021	1	UNIVERSAL KNOB - M6 - Ø20 - Black
2	89-017	1	EXTENDED KNOB.
3	98-015-02	1	Stacker Bed - Perforator
④	98-025	2	STACKER GUIDE ASSEMBLY.
5	98-033	1	STACKER BACKSTOP - Clamped
6	98-035	1	STACKER EXTENSION - Junior / Major.
7	605-033	1	Shoulder Washer - Ø12.32 x Ø6.86 x 3.96
8	401-02-030-006	2	Screw - Pan Pozi Taptite - M3 x 6 Lg.
9	409-01-040-016	1	Screw - Socket Set - Flat Point - M4 x 16 Lg.
11	461-01-030	2	Nut - Full - M3
12	481-030	8	Washer - Plain - M3



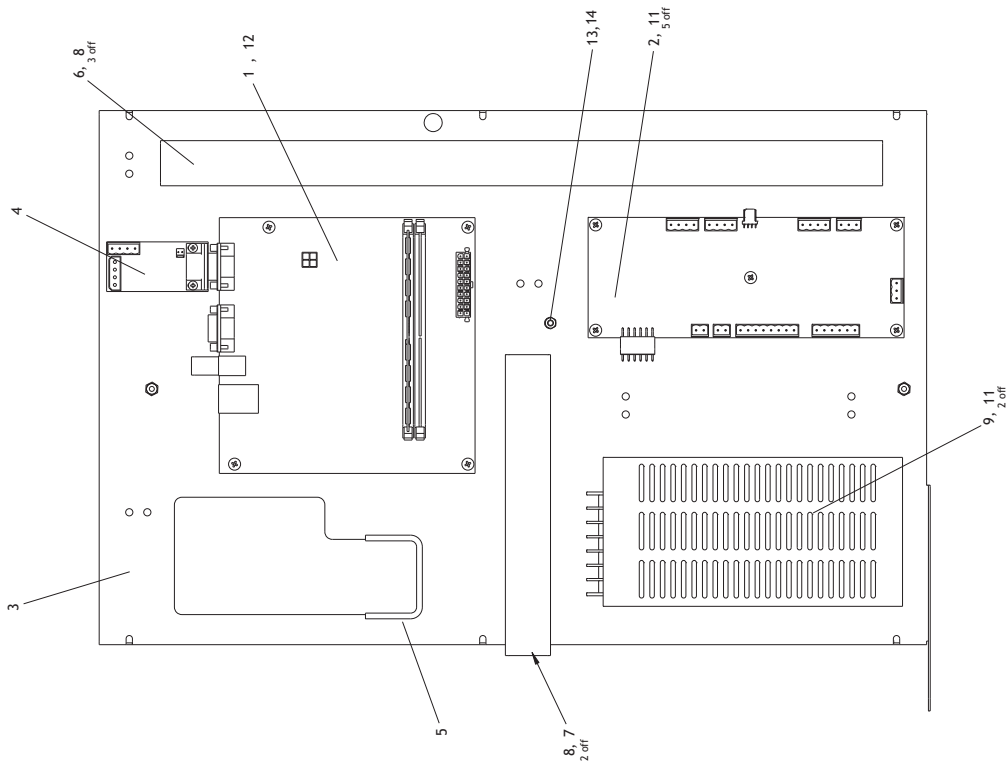
9



ITEM No.	PART No.	QTY.	DESCRIPTION
1	98-003-02	2	TIE BAR - Perforator - Wide.
2	98-007-02	1	INPUT BED - Perforator - Wide.
3	98-009-02	1	LOWER GUARD - Perforator - Wide.
4	98-013-02	1	ANTI-STATIC STRIP (Tape).
5	98-018-02	1	STRIPPER - Perforator - Long.
⑥	98-021	1	FRAME PAD ASSY. - Op. Side.
⑦	98-022	1	FRAME PAD ASSY. - Non Op Side.
8	98-031-03	1	UPPER GUARD - Perforator - Docufold Pro.
⑨	98-032-02	1	LATCHING SHAFT ASSY. - Wide
⑩	98-034	1	DIN PLUG - Panel Mounted - 8 Way.
11	98-037	2	LATCH BEARING - Perforator.
⑫	98-048-02	1	PERFORATOR SHAFT ASSY. - Upper - Wide
⑬	98-049-02	1	PERFORATOR SHAFT ASSY. - Lower - Wide
14	98-050	1	Perforator Scale - Metric - Major
	98-051	1	Perforator Scale - Imperial - Major
15	601-096	1	End Tip Ø2.4XØ6.3X12.2 LG-BLK
16	603-057	1	TENSION PIN - Ø2.5 X 30 Lg
17	604-056	2	WAVED WASHER.
18	401-02-040-006	10	Screw - Pan Pozi Taptite - M4 x 6 Lg.
19	404-01-050-016	4	Screw - Socket Countersunk - M5 x 16 Lg.

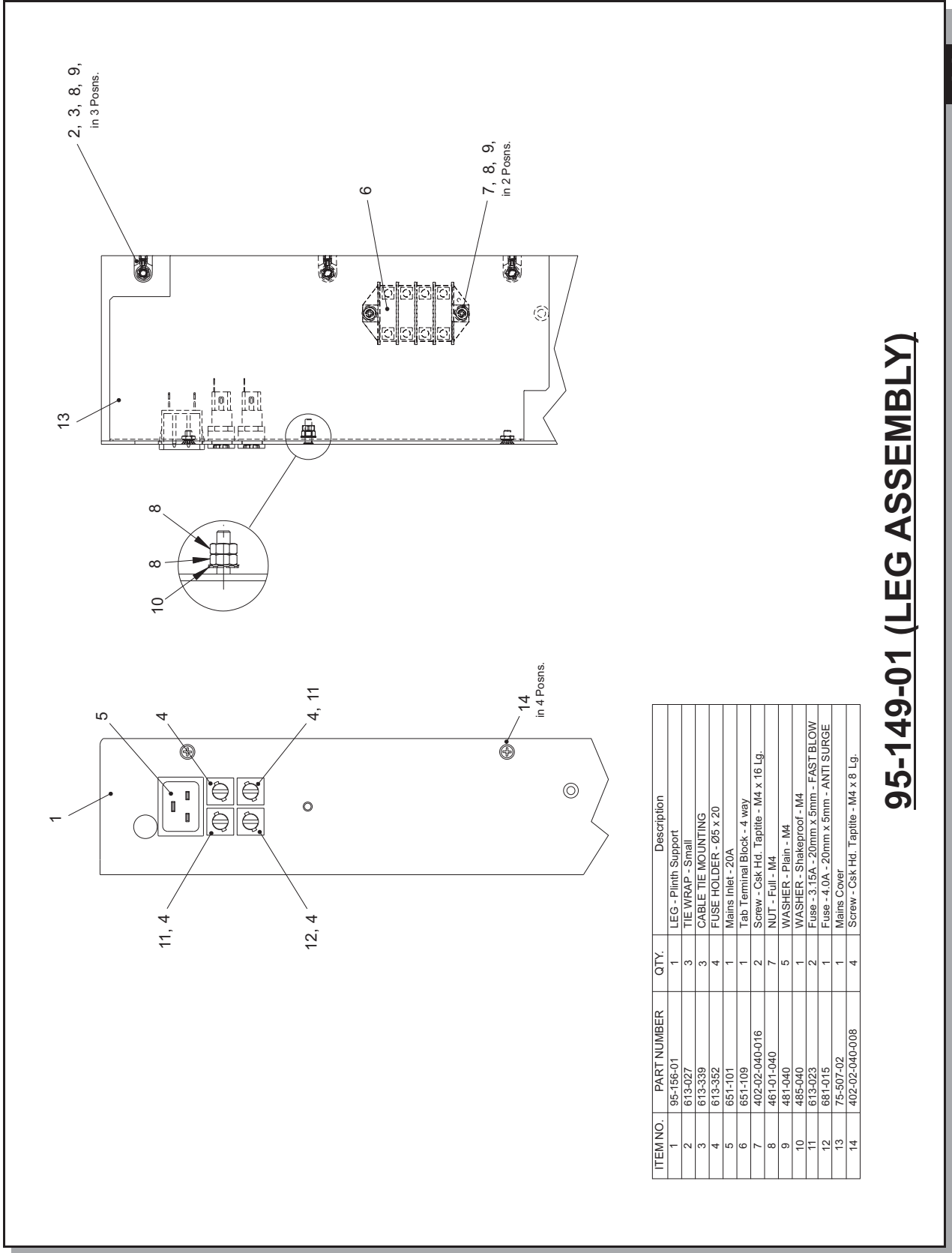


10



ITEM No.	PART No.	QTY.	DESCRIPTION
1	75-500-03	1	Mini ITX Motherboard - Docufold Pro
2	90-06-01	1	CONTROLLER BOARD P.C.B. Assy. - Major Pro.
3	95-147-01	1	CHASSIS - Control System - Major Pro.
4	174-19-01	1	RS232 Adaptor Board
5	601-139	1	Grommet Strip.
6	650-096	480 mm	Open Slot Trunking 25mm x 37.5mm
7	650-096	240 mm	Open Slot Trunking 25mm x 37.5mm
8	650-097	5	SNAP RIVET - NYLON - Ø4.2 HOLE
9	655-015	1	PSU - Switch Mode - 24V
11	401-02-040-006	7	Screw - Pan Pozzi Tapplate - M4 x 6 Lg.
12	401-02-040-008	4	Screw - Pan Pozzi Tapplate - M4 x 8 Lg.
13	461-01-040	1	Nut - Full - M4
14	483-040	1	SPRING WASHER - M4

**95-02-01 (CONTROL SYSTEM ASSEMBLY)**



**95-149-01 (LEG ASSEMBLY)**

12

