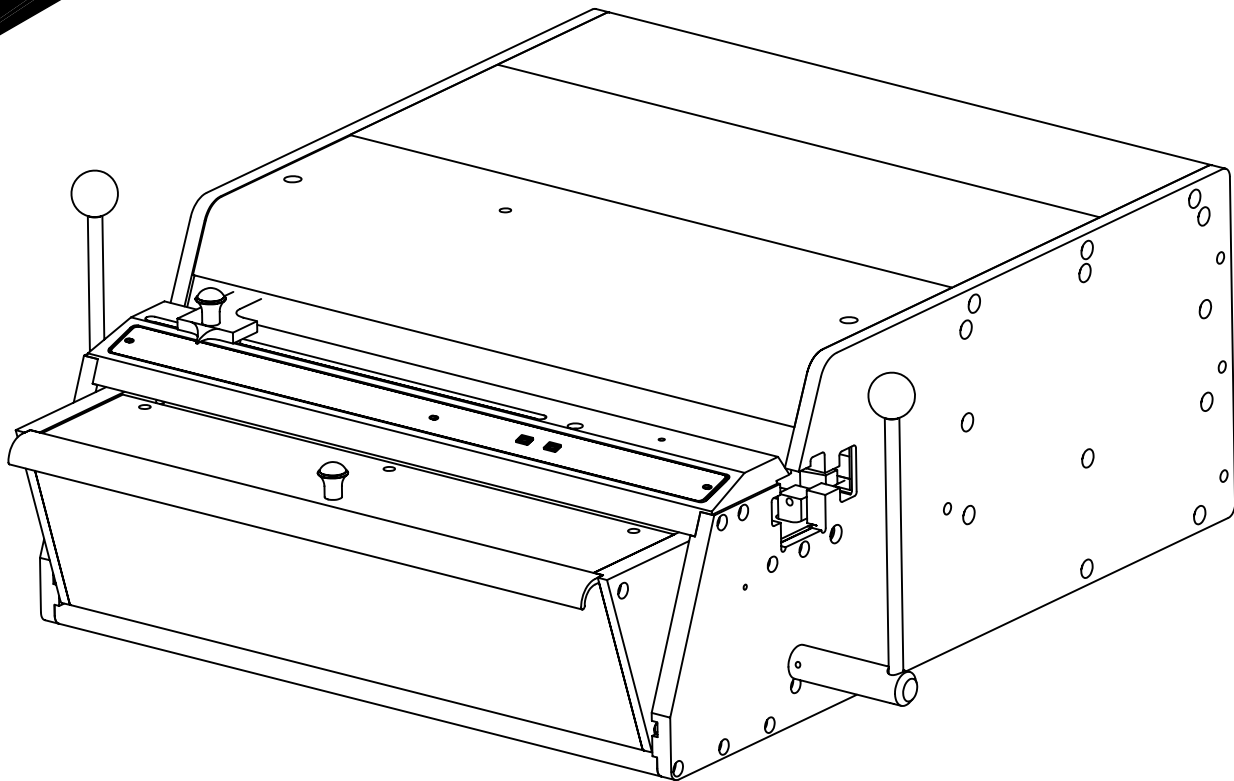


PDI Performance Design Inc.

7700 PARTS BOOK UL CE

14" Heavy Duty
Open End Electric Punch



Mailing Address: 2350 E. Braniff, Boise, Idaho 83716-9613

Telephone: 800-390-5782

Fax: 800-390-5783

Electronic Mail: PDI@PDIBIND.com

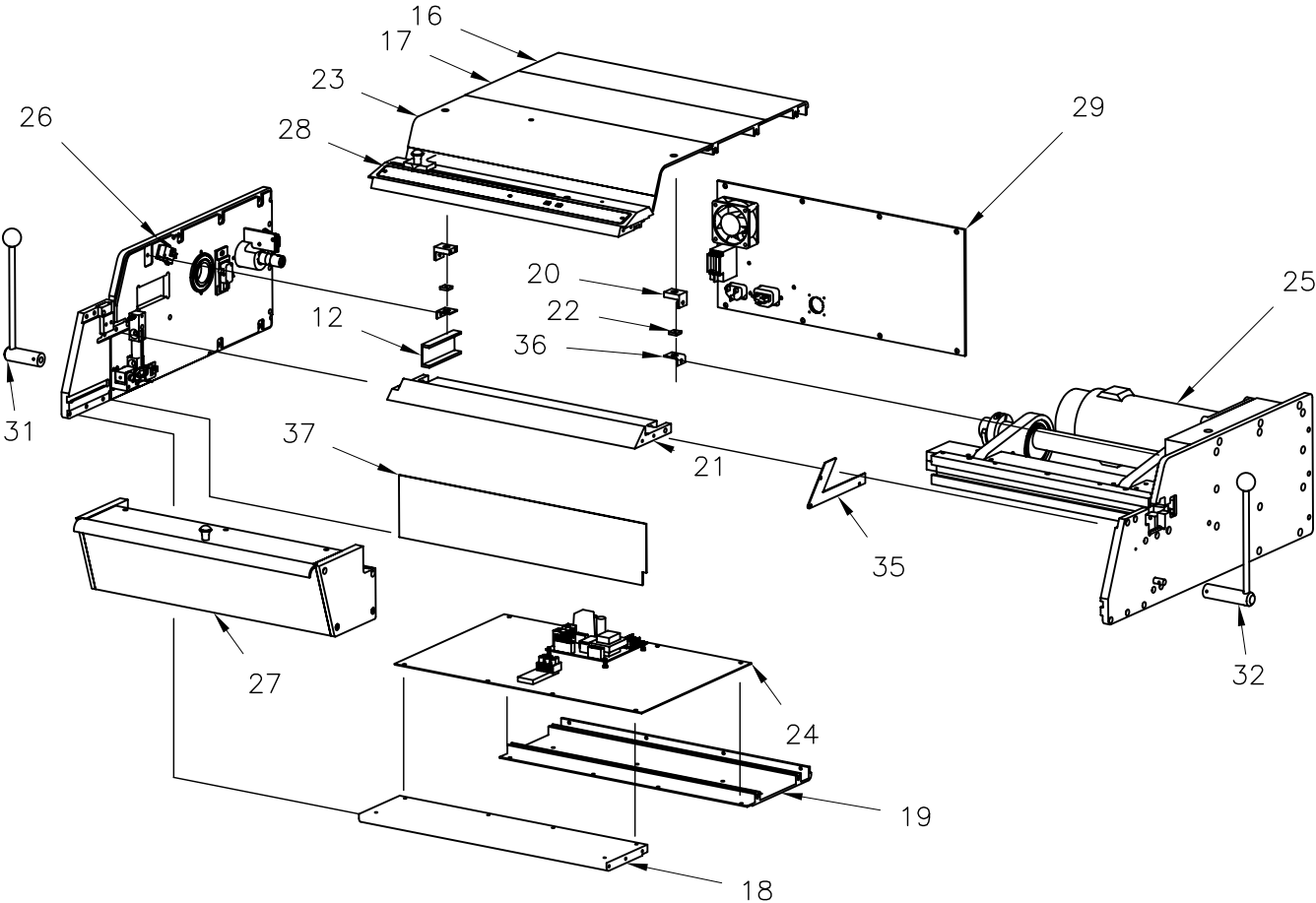
Web Site: www.RHIN-O-TUFF.com

HD-7700 PARTS BOOK

Page 1

PDi P/N 7700 (7700 CE)

- Assembly, Main 7700 -



HD-7700 PARTS BOOK

Page 2

PDi P/N 7700 (7700 CE)

- Assembly, Main 7700 -

Index

| Parts List | | | | |
|------------|-----|-------------|--------------------------------|-------------|
| ITEM | QTY | PART NUMBER | DESCRIPTION | NOTE |
| 1 | 1 | 001105 | DECAL,CRUSH HAZARD, RECTANGLE | Not Shown |
| 2 | 2 | 001106 | DECAL,VOLTAGE HAZARD | Not Shown |
| 3 | 1 | 001125 | DECAL,RHIN-O-TUFF | Not Shown |
| 4 | 1 | 001155 | DECAL,RECEPTICLE | Not Shown |
| 5 | 1 | 001146 | DECAL,CAUTION FUSE | Not Shown |
| 6 | 1 | 001318 | DECAL,PATENT 3 NUMBER DIE HDL. | Not Shown |
| 7 | 1 | 001576 | DECAL,VELO IS A REG. TRADEMK | Not Shown |
| 8 | 1 | 001583 | DECAL,SERIAL LABEL HD 7700 | Not Shown |
| 9 | 1 | 001750 | LABEL,MADE IN THE U.S.A. | Not Shown |
| 10 | 1 | 007031 | ASSY,FOOT PEDAL CE/UL | Not Shown |
| 11 | 1 | 007090 | CORD, POWER 18 GA. | Not Shown |
| 12 | 1 | 070240 | BUSHINGS,SIDEPLATE HD 7000 | |
| 13 | 2 | 071580 | DECAL,LOCK WP 7000 | Not Shown |
| 14 | 2 | 071590 | DECAL,LOCK WP 7000 | Not Shown |
| 15 | 1 | 077000 | BOOK,INSTRUCTION HD-7700 | Not Shown |
| 16 | 1 | 077010 | PLATE,TOP REAR | |
| 17 | 1 | 077020 | PLATE,MIDDLE TOP PLATE W/O | |
| 18 | 1 | 077070 | PLATE,BOTTOM FRONT | |
| 19 | 1 | 077130 | BOTTOM,PLATE | |
| 20 | 2 | 077220 | BLOCK,SAFETY LATCH | |
| 21 | 1 | 077230 | PLATE,DIE SUPPORT 7700 | |
| 22 | 2 | 077240 | NUT,8-32 .500 X .500 X .125THK | |
| 23 | 1 | 077390 | COVER,FRONT | |
| 24 | 1 | 077440 | ASSY, BOTTOM COVER 7700 | See Page 3 |
| 25 | 1 | 077450 | ASSY, GEARBOX HD 7700 | See Page 4 |
| 26 | 1 | 077460 | ASSY, LEFT SIDEPLATE | See Page 6 |
| 27 | 1 | 077470 | ASSY, DRAWER 7700 | |
| 28 | 1 | 077480 | ASSY, PAPER STOP ADJ. PLATE | See Page 8 |
| 29 | 1 | 077490 | ASSY, BACK PANEL 7700 | See Page 10 |
| 30 | 1 | 077770 | ASSY,PALM SWITCH FOR 7700/7000 | Not Shown |
| 31 | 1 | 077780 | ASSY, HANDLE LEFT 7700 | |
| 32 | 1 | 077790 | ASSY, HANDLE RIGHT 7700 | |
| 33 | 1 | 977120 | LABEL,LIFT & MOVE KNOB MAJOR | Not Shown |
| 34 | 1 | 977130 | LABEL,TURN KNOB MINOR ADJ. | Not Shown |
| 35 | 1 | 977210 | PLATE,SIDE WIREWAY | |
| 36 | 2 | 977220 | RETAINER,SAFETY LATCH NUT | |
| 37 | 1 | 977230 | PLATE,SAFETY | |
| 38 | 1 | 977370 | LABEL,PAPER POINT GUIDE | |

PDI Performance Design Inc.

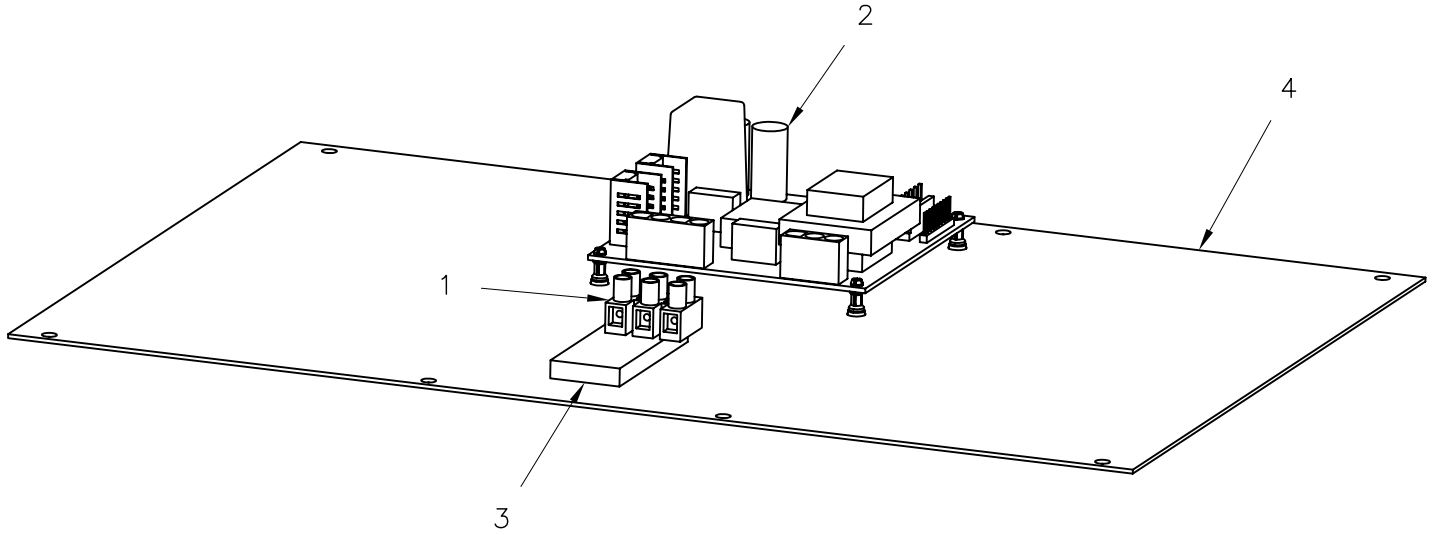
2350 E. Braniff, Boise, Idaho 83716 / 800-390-5782 / PDI@PDIBIND.com / www.RHIN-O-TUFF.com

HD-7700 PARTS BOOK

Page 3

PDi P/N 077440 (077820 CE)

- Assembly, Bottom Cover -



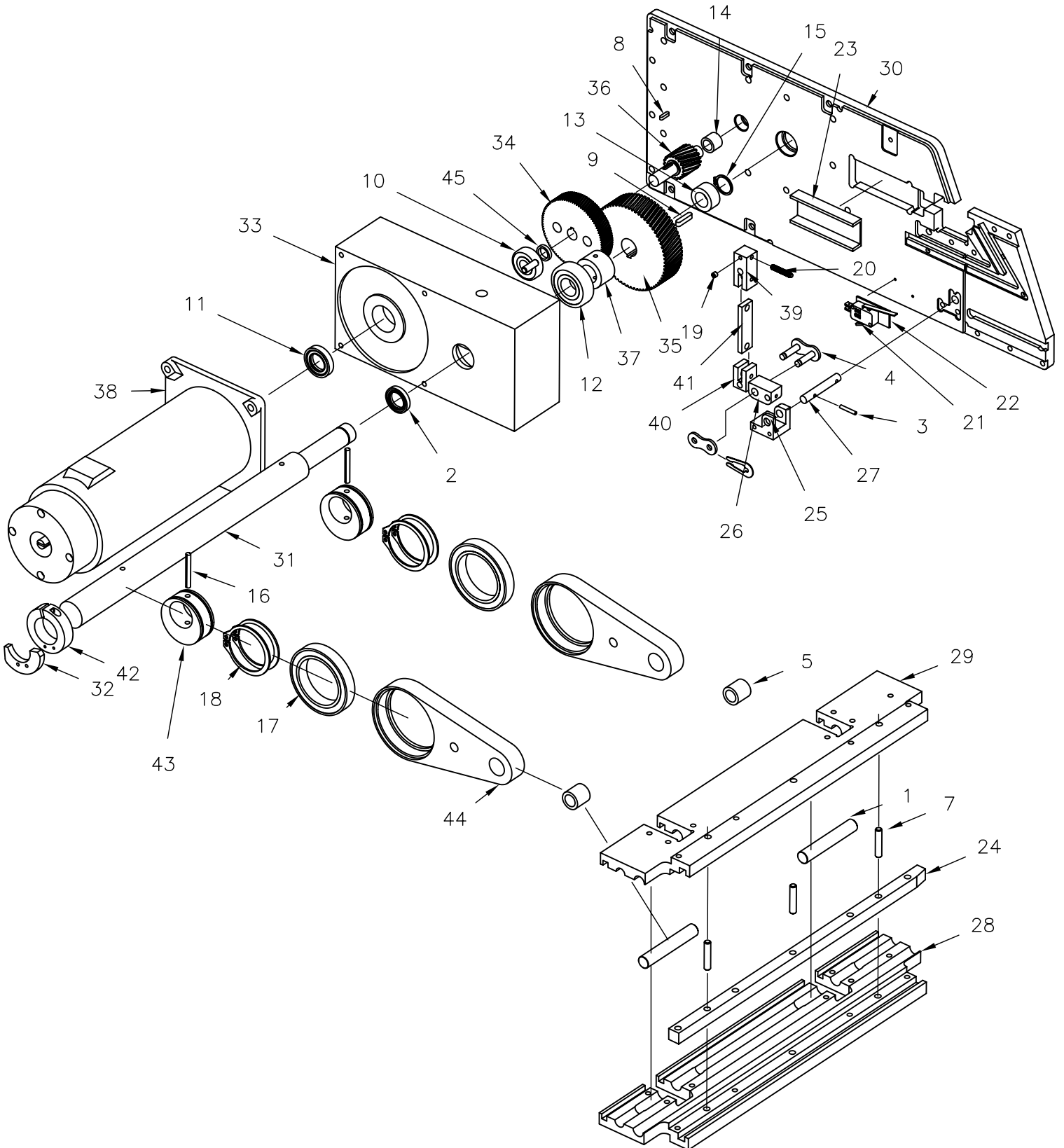
| Parts List | | | | |
|------------|-----|-------------|----------------------------|--------------------|
| ITEM | QTY | PART NUMBER | DESCRIPTION | NOTE |
| 1 | 1 | 007054 | STRIP,TERMINAL 3 POLE | |
| 2 | 1 | 007986 | PCA,CONTROL BOARD 7000 UL2 | P/N 007988 CE 230V |
| 3 | 1 | 077610 | PLATE,RECEPRICAL MOUNT | |
| 4 | 1 | 977110 | COVER,BOTTOM | |

HD-7700 PARTS BOOK

Page 4

PDi P/N 077450 (077090 CE)

- Assembly, Gear Box -



HD-7700 PARTS BOOK

Page 5

PDi P/N 077450 (077980 CE)

- Assembly, Gear Box -

Index

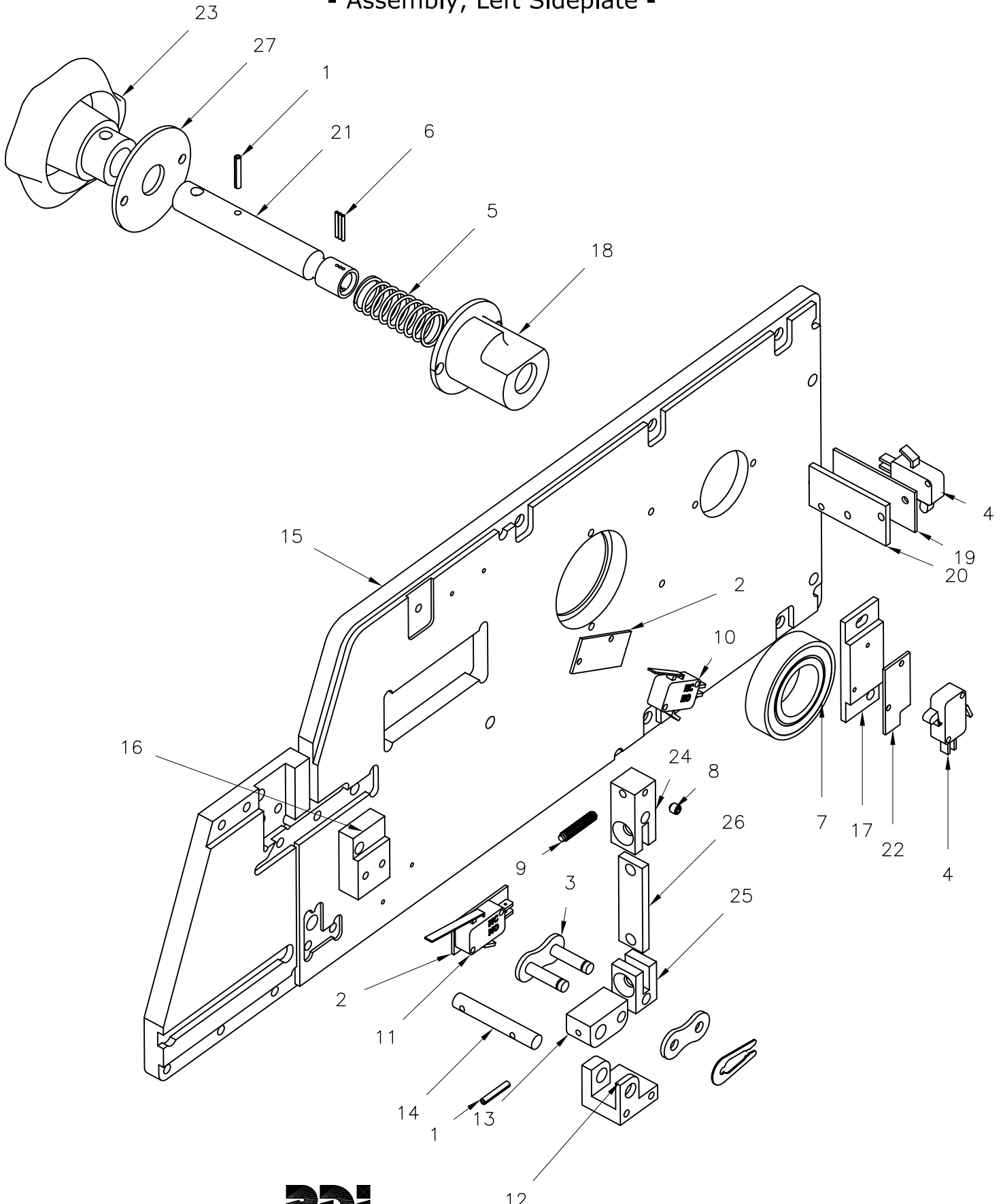
| Parts List | | | | |
|------------|-----|-------------|--------------------------------|--------------------|
| ITEM | QTY | PART NUMBER | DESCRIPTION | NOTE |
| 1 | 2 | 001020 | PIN,DOWEL 1/2 X 3" | |
| 2 | 1 | 001049 | SEAL, GEARBOX SHAFT 7000 | |
| 3 | 1 | 001062 | PIN,ROLL 1/8 X 3/4" | |
| 4 | 1 | 001330 | #60 MASTERLINK, SPRING CLIP | |
| 5 | 2 | 001390 | BUSHING,OILITE | |
| 7 | 3 | 001400 | PIN,DOWEL 1/4 X 1.1/4" | |
| 8 | 1 | 001413 | KEY, PINION 7700 GEARBOX | |
| 9 | 1 | 001414 | KEY, CRANKSHAFT 7700 GEARBOX | |
| 10 | 1 | 001415 | BEARING,PINION 7700 GEARBOX | |
| 11 | 1 | 001416 | SEAL, MOTOR 7700 GEARBOX | |
| 12 | 1 | 001417 | BEARING, CRANKSHAFT 7700 | |
| 13 | 1 | 001418 | BUSHING,5/8 X 1 X 1/2 LONG | |
| 14 | 1 | 001419 | BUSHING,7/16 X 5/8 X 1/2 LONG | |
| 15 | 1 | 001421 | RING, EXTERNAL RETAINING 3/4" | |
| 16 | 2 | 001422 | PIN,GROOVE 3/16 X 1 1/2" | |
| 17 | 2 | 001458 | BEARING,BALL CONNECT ROD 7700 | |
| 18 | 4 | 001465 | RING,RETAINING EXTERNAL 50 MM | |
| 19 | 1 | 005311 | SC,SHSS 10-32 X 3/16 | |
| 20 | 1 | 002320 | SC,SHSS 10-32 X 1 1/4 HALF DOG | |
| 21 | 1 | 007960 | SWITCH, VERSASWITCH II | |
| 22 | 1 | 001151 | INSULATOR,SWITCH | |
| 23 | 1 | 070240 | BUSHINGS,SIDEPLATE HD 7000 | |
| 24 | 1 | 070260 | BAR, PIN BACKUP HD 7000 | |
| 25 | 1 | 070280 | BASE, CLAMP RIGHT 7000/7700 | |
| 26 | 1 | 070290 | PIVOT, CLAMP 7000/7700 | |
| 27 | 1 | 070300 | SHAFT, CLAMP HD 7000 | |
| 28 | 1 | 077030 | PUSHERBAR,BOTTOM HD7700 | |
| 29 | 1 | 077040 | PUSHERBAR,TOP 7700 | |
| 30 | 1 | 077050 | PLATE,SIDE RIGHT | |
| 31 | 1 | 077140 | CRANKSHAFT,7700 | |
| 32 | 1 | 077360 | CAM,SWITCH | |
| 33 | 1 | 077500 | GEARBOX,7700 | |
| 34 | 1 | 077510 | GEAR, 90T. 32 D.P. HIGH SPEED | |
| 35 | 1 | 077520 | GEAR, 69T. 20D.P. | |
| 36 | 1 | 077530 | GEAR, 18T. 20D.P. | |
| 37 | 1 | 077540 | SPACER,LOW SPEED GEAR | |
| 38 | 1 | 077550 | MOTOR,BALDOR 1/2 HP W/BRAKE | P/N 077555 CE 230V |
| 39 | 1 | 077570 | BLOCK,CLAMP LEVER TOP SPRING | |
| 40 | 1 | 077580 | BLOCK,CLAMP LEVER BOTTOMSPRING | |
| 41 | 1 | 077590 | SPRING,LEVER CLAMP | |
| 42 | 1 | 077620 | COLLAR,CAM SWITCH 7700 | |
| 43 | 2 | 077630 | CAM,CONNECTING ROD 7700 | |
| 44 | 2 | 077640 | ROD,CONNECTING 7700 | |
| 45 | 1 | 077660 | SPACER,HIGH SPEED GEAR BEARING | |

HD-7700 PARTS BOOK

Page 6

PDi P/N 077460 (077650 CE)

- Assembly, Left Sideplate -



PDi Performance Design Inc.

2350 E. Braniff, Boise, Idaho 83716 / 800-390-5782 / PDI@PDIBIND.com / www.RHIN-O-TUFF.com

HD-7700 PARTS BOOK

Page 7

PDi P/N 077460 (077650 CE)

- Assembly, Left Sideplate -
Index

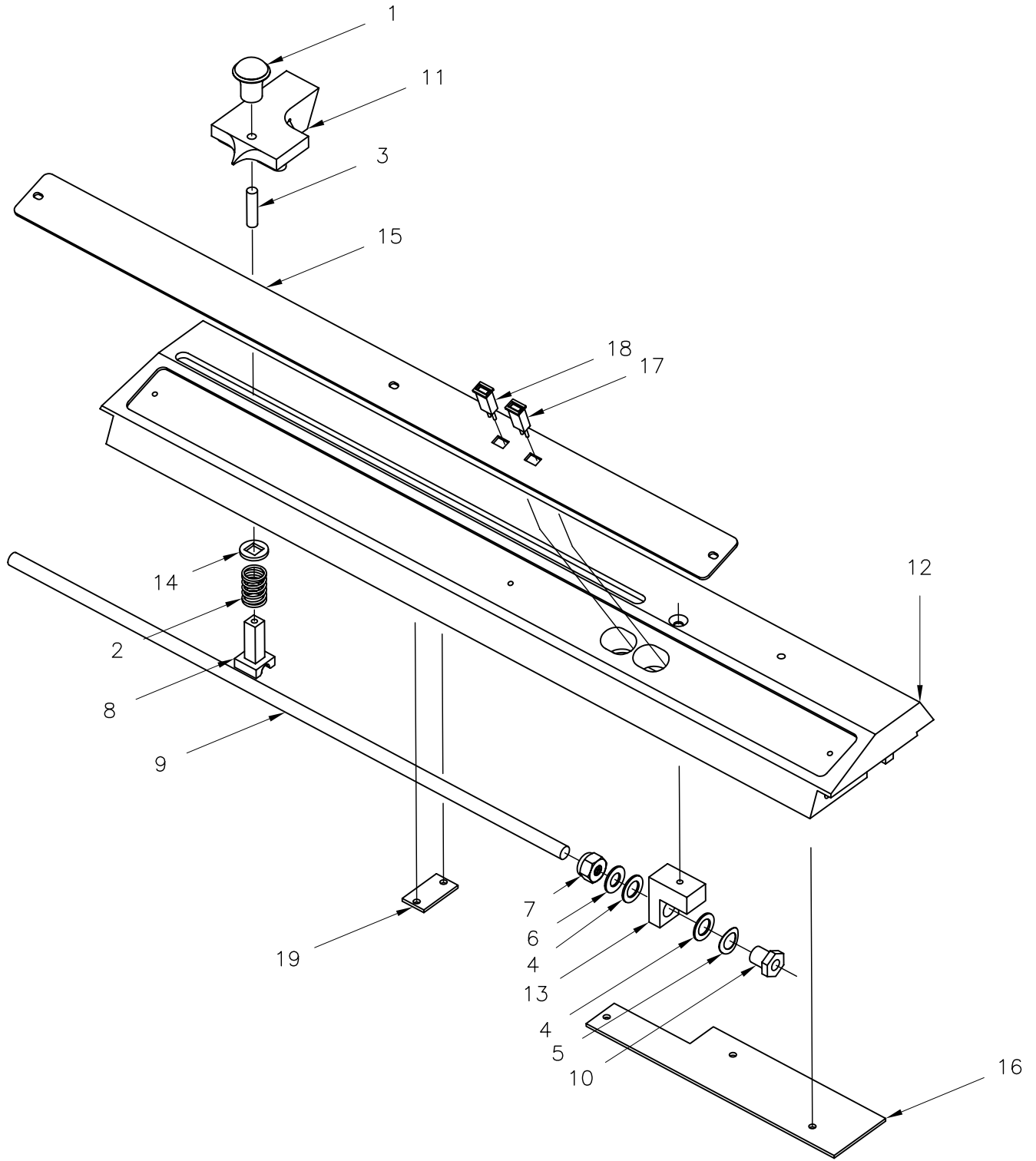
| Parts List | | | | |
|------------|-----|-------------|--------------------------------|------|
| ITEM | QTY | PART NUMBER | DESCRIPTION | NOTE |
| 1 | 2 | 001062 | PIN,ROLL 1/8 X 3/4" | |
| 2 | 2 | 001151 | INSULATOR,SWITCH | |
| 3 | 1 | 001330 | #60 MASTERLINK, SPRING CLIP | |
| 4 | 2 | 001406 | SWITCH,MINIATURE ROLLER LEVER | |
| 5 | 1 | 001424 | SPRING, REVERSE 7700 | |
| 6 | 3 | 001435 | PIN,DOWEL 1/16 X 5/8 | |
| 7 | 1 | 001457 | BEARING,7700 LEFT SIDEPLATE | |
| 8 | 1 | 005311 | SC,BRASS PSS 8-32 X 3/16L | |
| 9 | 1 | 002320 | SC,SHSS 10-32 X 1 1/4 HALF DOG | |
| 10 | 1 | 007240 | SWITCH, SAFETY | |
| 11 | 1 | 007960 | SWITCH, VERSASWITCH II | |
| 12 | 1 | 070210 | BASE, CLAMP LEFT 7000/7700 | |
| 13 | 1 | 070290 | PIVOT, CLAMP 7000/7700 | |
| 14 | 1 | 070300 | SHAFT, CLAMP HD 7000 | |
| 15 | 1 | 077060 | PLATE,SIDE LEFT | |
| 16 | 1 | 077260 | BLOCK,DIE STOP | |
| 17 | 1 | 077300 | BLOCK,STOP SWITCH MOUNT | |
| 18 | 1 | 077320 | BODY,REVERSING TOOL | |
| 19 | 1 | 077330 | PLATE,REVERSING TOOL SW INSUL | |
| 20 | 1 | 077340 | PLATE,REVERSING TOOL SWITCH | |
| 21 | 1 | 077350 | SHAFT,REVERSING TOOL | |
| 22 | 1 | 077430 | INSULATOR,SWITCH 7700 | |
| 23 | 1 | 077560 | KNOB, REVERSING 7700 MACHINED | |
| 24 | 1 | 077570 | BLOCK,CLAMP LEVER TOP SPRING | |
| 25 | 1 | 077580 | BLOCK,CLAMP LEVER BOTTOMSPRING | |
| 26 | 1 | 077590 | SPRING,LEVER CLAMP | |
| 27 | 1 | 977320 | PLATE,REVERSING TOOL FACE | |

HD-7700 PARTS BOOK

Page 8

PDi P/N 077480 (077810 CE)

- Assembly, Paper Stop Adj. PLate -



HD-7700 PARTS BOOK

Page 9

PDi P/N 077480 (077810 CE)
- Assembly, Paper Stop Adj. Plate -
Index

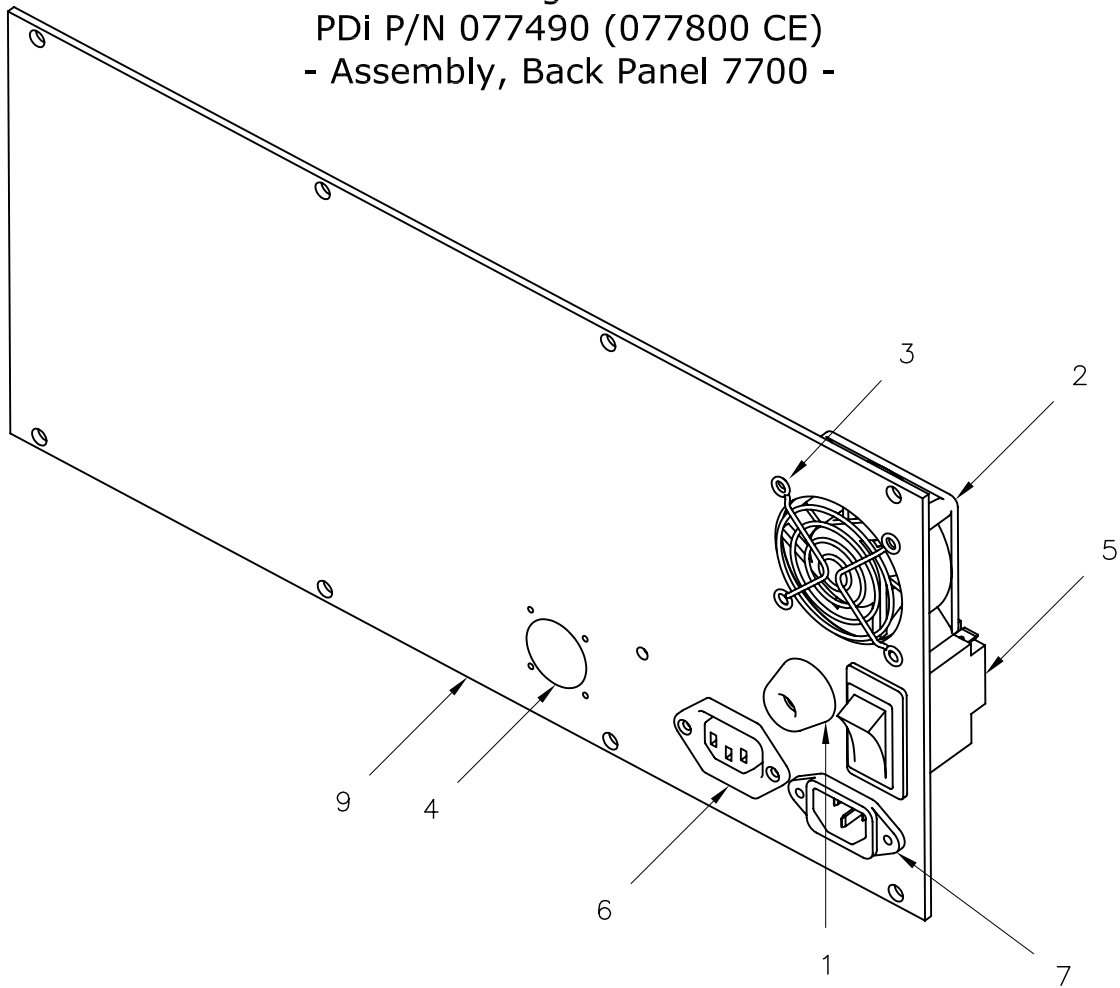
| Parts List | | | | |
|------------|-----|-------------|--------------------------------|---------------|
| ITEM | QTY | PART NUMBER | DESCRIPTION | NOTE |
| 1 | 1 | 001261 | KNOB,PLASTIC PUSH-PULL 6-32 | |
| 2 | 1 | 001423 | SPRING, PAPER STOP 7700 | |
| 3 | 1 | 001443 | SC,SHSS 6-32 X 3/4" | |
| 4 | 2 | 001451 | WASHER,TEFLON .312 X .515 .031 | |
| 5 | 1 | 001452 | WASHER,SPRING .315 X .500 | |
| 6 | 1 | 001453 | WASHER,AN .260 X .500 .032T | |
| 7 | 1 | 004000 | NUT,NYLOCK 1/4-20 | |
| 8 | 1 | 077100 | BOLT,PAPER STOP | |
| 9 | 1 | 077110 | SHAFT,PAPER STOP ADJUSTMENT | |
| 10 | 1 | 077120 | NUT,PAPER STOP ADJUSTMENT | |
| 11 | 1 | 077190 | BLOCK,PAPER POINTER GUIDE | |
| 12 | 1 | 077200 | BAR,BACKUP & PAPER INDEX GUIDE | |
| 13 | 1 | 077250 | BLOCK,ADJUSTMENT KNOB | |
| 14 | 1 | 077420 | WASHER,7700 PAPER STOP ASSY | |
| 15 | 1 | 977180 | PLATE,INDEX SILK SCREENED | P/N 978180 CE |
| 16 | 1 | 977240 | PLATE,TOP WIREWAY | |
| 17 | 1 | 977330 | LED, GREEN 7700 LUMEX 5 VOLT | |
| 18 | 1 | 977340 | LED, RED 7700 LUMEX 5 VOLT | |
| 19 | 1 | 977380 | SUPPORT,BACKUP BAR ALLTHREAD | |

HD-7700 PARTS BOOK

Page 10

PDi P/N 077490 (077800 CE)

- Assembly, Back Panel 7700 -



Parts List

| ITEM | QTY | PART NUMBER | DESCRIPTION | NOTE |
|------|-----|-------------|-----------------------------|--------------------|
| 1 | 1 | 001050 | FEET,RUBBER SCREW MOUNT | |
| 2 | 1 | 001426 | FAN, COOLING 7700 | P/N 001455 CE 230V |
| 3 | 1 | 001427 | GUARD, FAN 7700 | P/N 001456 CE |
| 4 | 1 | 001445 | PLUG,HOLE STEEL 7/8" NICKEL | |
| 5 | 1 | 007013 | BREAKER,CIRCUIT 10 AMP | P/N 008160 CE 230V |
| 6 | 1 | 007040 | RECEPTICLE, CORD FOOT PEDAL | |
| 7 | 1 | 007050 | RECEPTICLE, CORD POWER | |
| 9 | 1 | 977350 | PANEL,BACK UL 7700 | P/N 977140 CE |