

Morgana

Junior

**PAPER FOLDING
MACHINE**

ILLUSTRATED PARTS MANUAL

*Morgana Systems Limited Snowdon Drive Winterhill Milton
Keynes Buckinghamshire MK6 1AP United Kingdom Telephone:
(01908) 608888 Facsimile: (01908) 692399*

ISSUE 3 November 2000

90-010

Morgana Junior

ILLUSTRATED PARTS MANUAL

This Parts Manual has been designed to help you to select any part or assembly which may be required to service or repair your machine.

The following page explains some of the techniques used to help you use this manual and the index on page 5 lists all of the major assemblies in the order in which the machine was built.

Each section has at least one pair of facing pages containing an illustration and an accompanying list of parts. Some sections also have information boxes, which contain Notes, Tips, or Warnings.

The number at the top outside edge of each page identifies the assembly and should always be quoted when ordering parts or seeking technical advice.

When ordering parts you should confirm that the number at the top of the index page - which is the model number - is the same as the number stamped upon the specification plate fixed to the rear of the delivery on your machine (see section 5 starting on page 18). Whilst you are checking this, you may like to take a note of the serial number which is also on this plate.

Some components are not available individually as they form part of a sub-assembly which may not be dismantled or may require specialist tooling or knowledge to do so. The machine may not perform correctly if attempts are made to repair sub-assemblies of this type.

Accessories are available to help you get the best possible use out of your machine, and they include various types of scoring & perforating blades. A full list appears in section 10 towards the end of this manual.

NOTE....

ALWAYS CONSULT THE OPERATORS MANUAL FOR YOUR MACHINE BEFORE CARRYING OUT ANY ADJUSTMENTS, AND ALWAYS DISCONNECT THE POWER SUPPLY BEFORE REMOVING ANY

USING THIS MANUAL.....

CIRCLED ITEM NUMBERS IN LISTS & ON ILLUSTRATIONS INDICATE SUB ASSEMBLIES.

ITEMS LISTED ARE AVAILABLE INDIVIDUALLY AS SPARE PARTS.

11	92 - 039	1	SLIDE FRAME ASSEMBLY - Low
12	92 - 041	1	SLIDE SHAFT - Long - Stacker
13	92 - 018	1	CONTROL COLLAR - Stacker
14	92 - 020	1	CATCHING FRAME - Delivery
15	92 - 021	1	STACKING ROLLER - Long
16	92 - 022	2	END CAP - Stacking Roller
17	92 - 023	1	AXLE - Stacker Roller
18	92 - 026	1	DRIVE BELT - Delivery
19			

QUANTITY PER ASSEMBLY

NOTE....

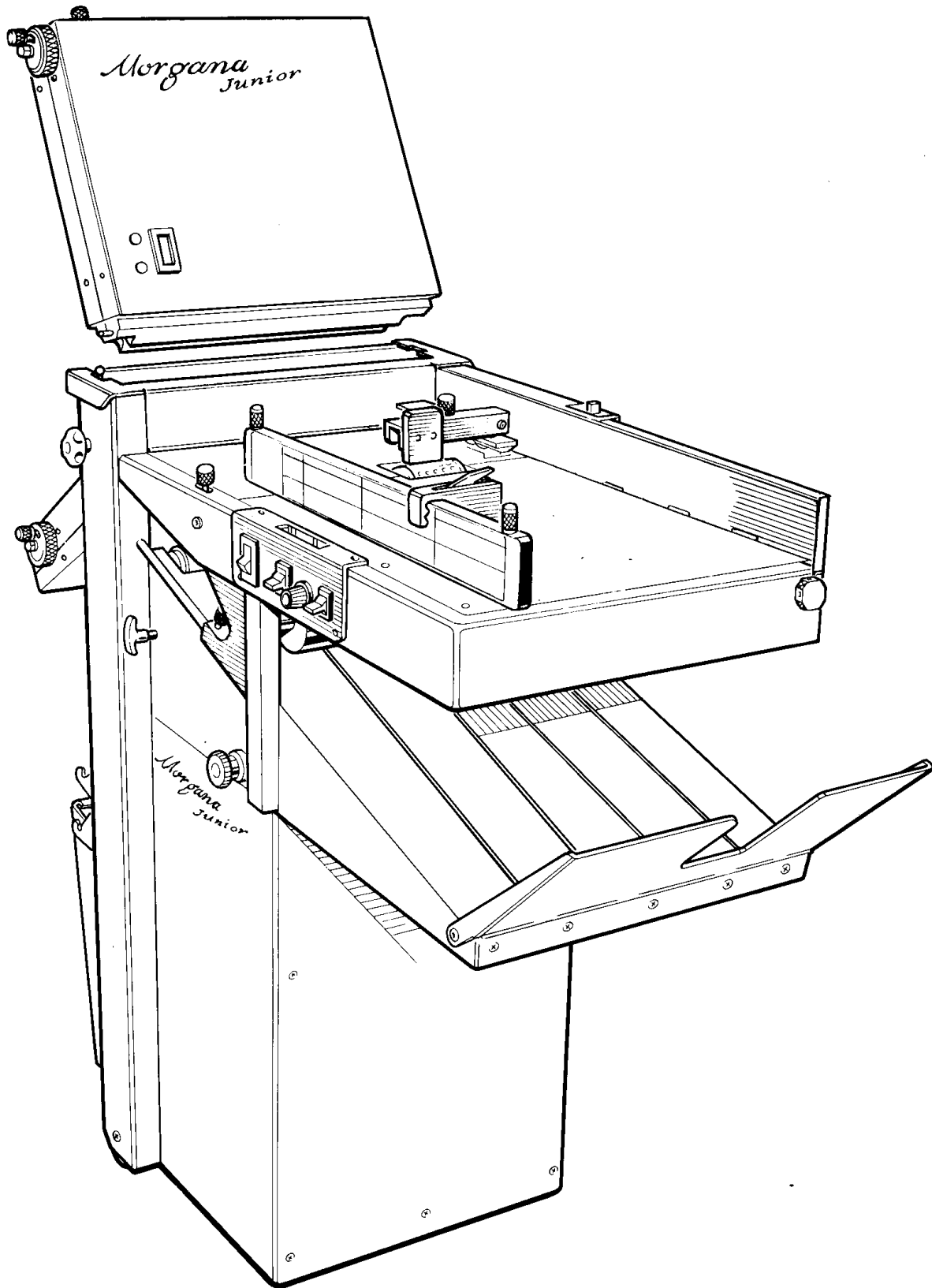
Some sections have footnotes to explain various aspects of the parts lists and accompanying illustrations. They may also include warnings about the fitting of parts, their removal, or the need to use special

TIP....

Some sections have tips to assist you in choosing spare parts for your machine or advice about keeping certain parts readily available to minimise downtime.

WARNING.....

SOME SECTIONS HAVE WARNING NOTICES TO ADVISE YOU ABOUT ACTIONS WHICH MAY IMPAIR YOUR MACHINES PERFORMANCE OR CAUSE UNNECESSARY DAMAGE.



Morgana Junior

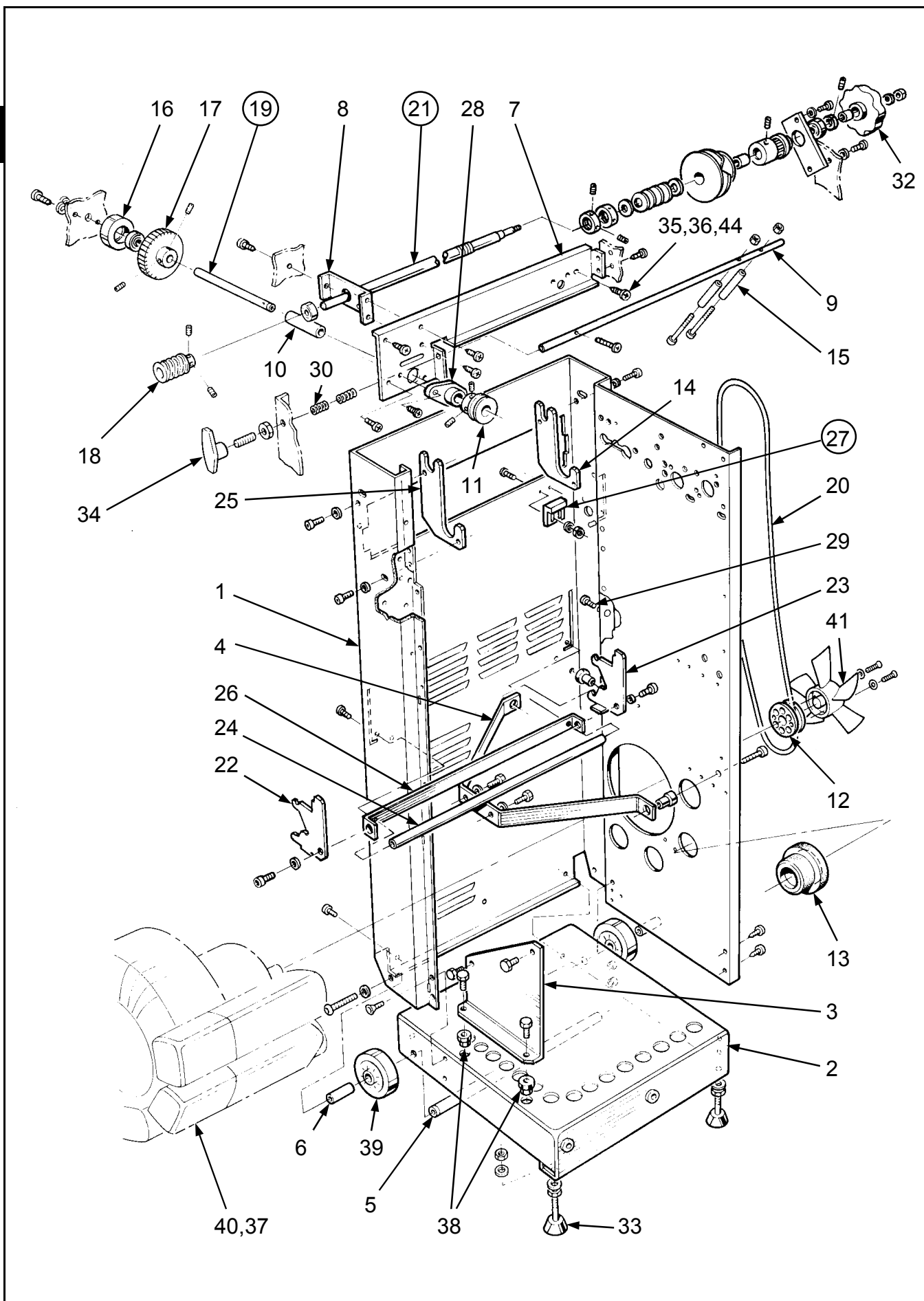
PAPER FOLDING MACHINE

SECTION	ASSEMBLY	QTY	DESCRIPTION	PAGE
1	9 - 01 - 01	1	MAIN ASSEMBLY - 50 Hz	6
2	9 - 02 - 01	1	DELIVERY ASSEMBLY	10
3	9 - 03 - 01	1	FEED BED ASSEMBLY	12
4	9 - 04 - 01	1	PAPER CONTROL ASSEMBLY	16
5	9 - 05 - 01	1	SERVICES - 50Hz - Docufold.	18
6	9 - 06 - 04	1	FOLD ROLLER ASSEMBLY	22
7	9 - 07 - 01	1	FOLD PLATE - Didital - Deflect	24
7	9 - 07 - 02	1	FOLD PLATE - Digital - Stop	28
8	9 - 08 - 04	1	PERFORATOR ASSEMBLY	32
8	9 - 08 - 02	1	STACKER ASSEMBLY	34
9	9 - 09 - 01	1	OPTIONAL REAR DELIVERY ASSY.	36
10	9 - 95 - 01	1	DISPATCH KIT - UK	38
10	-	-	ACCESSORIES, OPTIONS & SPARES	39
10	-	-	RECOMMENDED SPARES	40

NOTE....**TIP....**

To assist you in quickly finding the section you require, there are numbered bleed tabs positioned down the outside edges of each page.

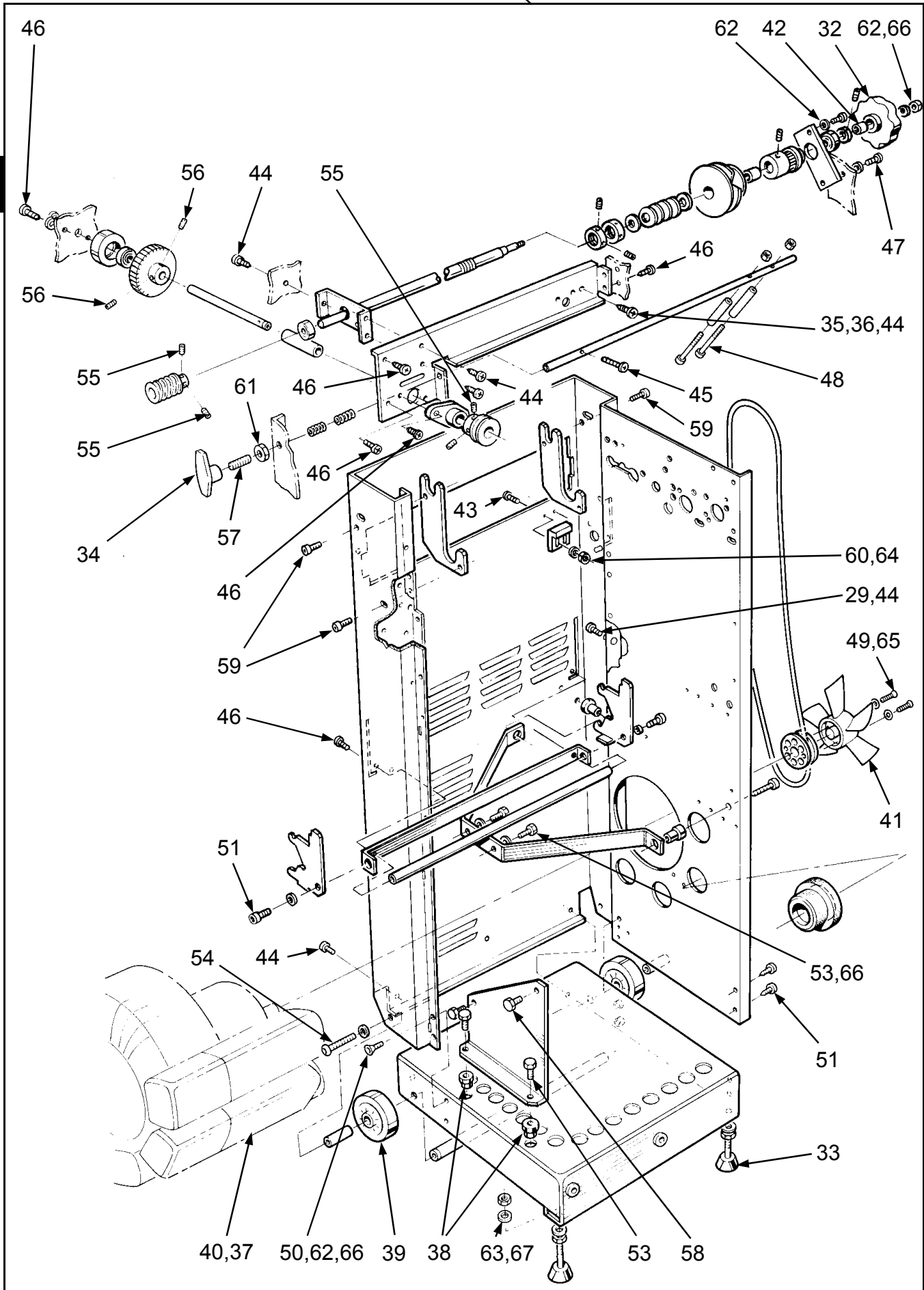
1



ITEM	PART NUMBER	QTY	DESCRIPTION
1	91 - 001	1	MAIN FRAME
2	91 - 002	1	PLINTH
3	91 - 003	1	COMPRESSOR SUPPORT
4	91 - 004	1	COMPRESSOR STRAP
5	91 - 005	1	AXLE - Wheels
6	91 - 006	2	WHEEL TUBE
7	91 - 007	1	CROSS STRAP
8	91 - 011	1	SHAFT HANGER
9	91 - 012	1	SHAFT - Speed Control
10	91 - 015	1	SPACER - Reduction Shaft
11	91 - 017	1	CORD PULLEY - Delivery
12	91 - 024	1	CORD PULLEY - Compressor
13	91 - 025	4	BUNG - Compressor
14	91 - 033	1	LOCATION PLATE - Drive Side
15	91 - 035	2	SPACER - Belt Change
16	91 - 038	1	HOUSING - Key Drive
17	91 - 040	1	WORM WHEEL
18	91 - 041	1	WORM
19	91 - 042	1	KEY DRIVE SHAFT ASSEMBLY
20	91 - 044	1	DRIVE BELT - Main
21	91 - 045	1	TRANSMISSION SHAFT ASSEMBLY
22	91 - 051	1	STOW HOOK Op Side
23	91 - 052	1	STOW HOOK Drive Side
24	91 - 053	1	SHAFT - Stow Hook
25	91 - 054	1	LOCATION PLATE - Op. Side
26	91 - 055	1	BRACKET - Stowage Shaft
27	65 - 070	1	GUARD SWITCH ASSEMBLY
28	602 - 045	1	FLANGE ALIGN BEARING
29	603 - 041	4	SPIROL SPACER
30	604 - 059	2	COMPRESSION SPRING
31	605 - 002	2	NYLON WASHER
32	606 - 023	1	HANDWHEEL
33	606 - 028	2	FOOT
34	606 - 029	1	HANDLE - Speed Control
35	613 - 027	1	CABLE TIE
36	613 - 339	1	CABLE TIE MOUNTING
37	613 - 464	1	CABLE GLAND
38	615 - 031	4	FLEX - LOC BUSH
39	617 - 008	2	WHEEL
40	621 - 024	1	SIDE CHANNEL BLOWER
41	621 - 025	1	FAN - Plastic - 5 Blade

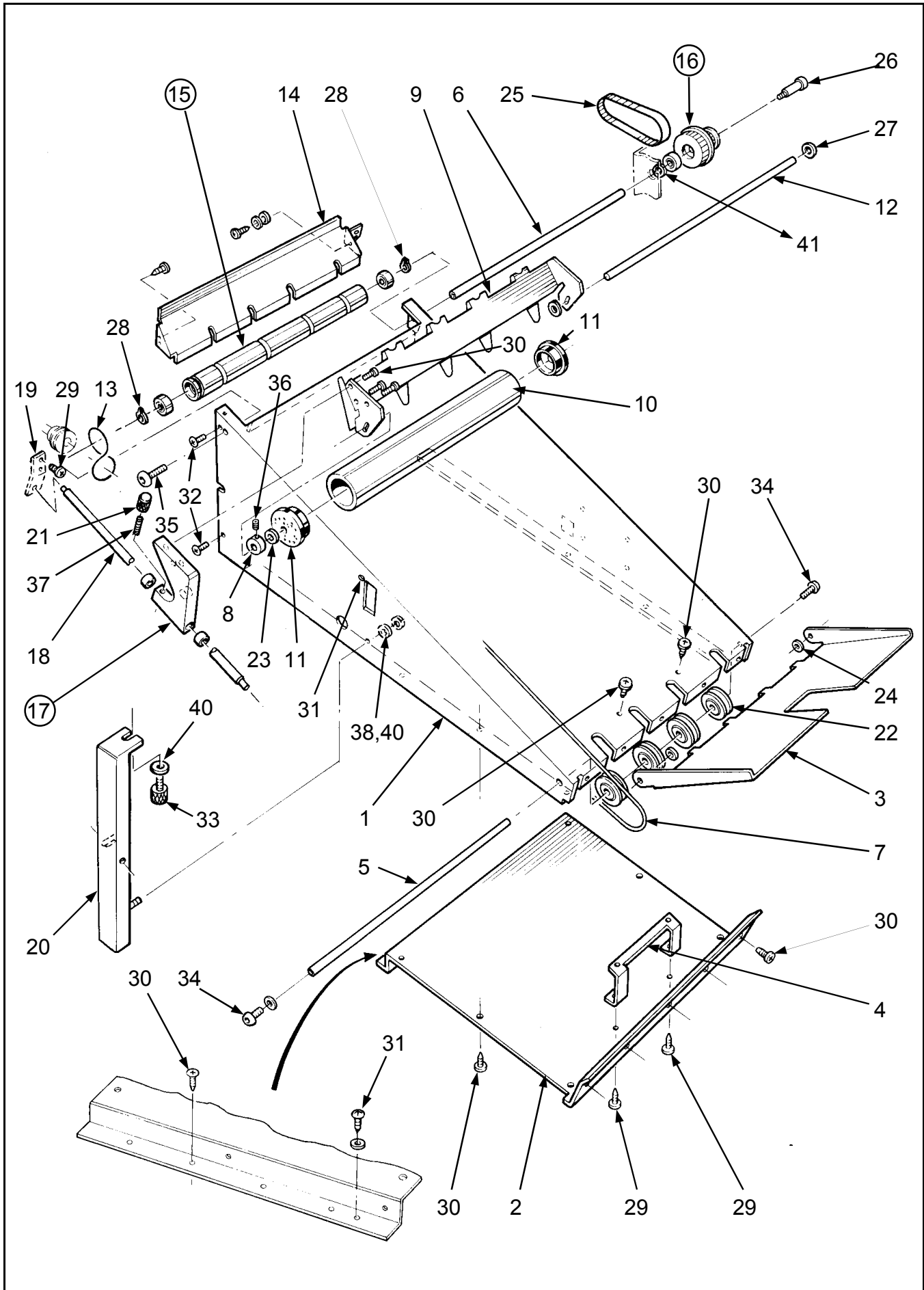
THIS SECTION IS CONTINUED ON THE FOLLOWING PAGES 

1



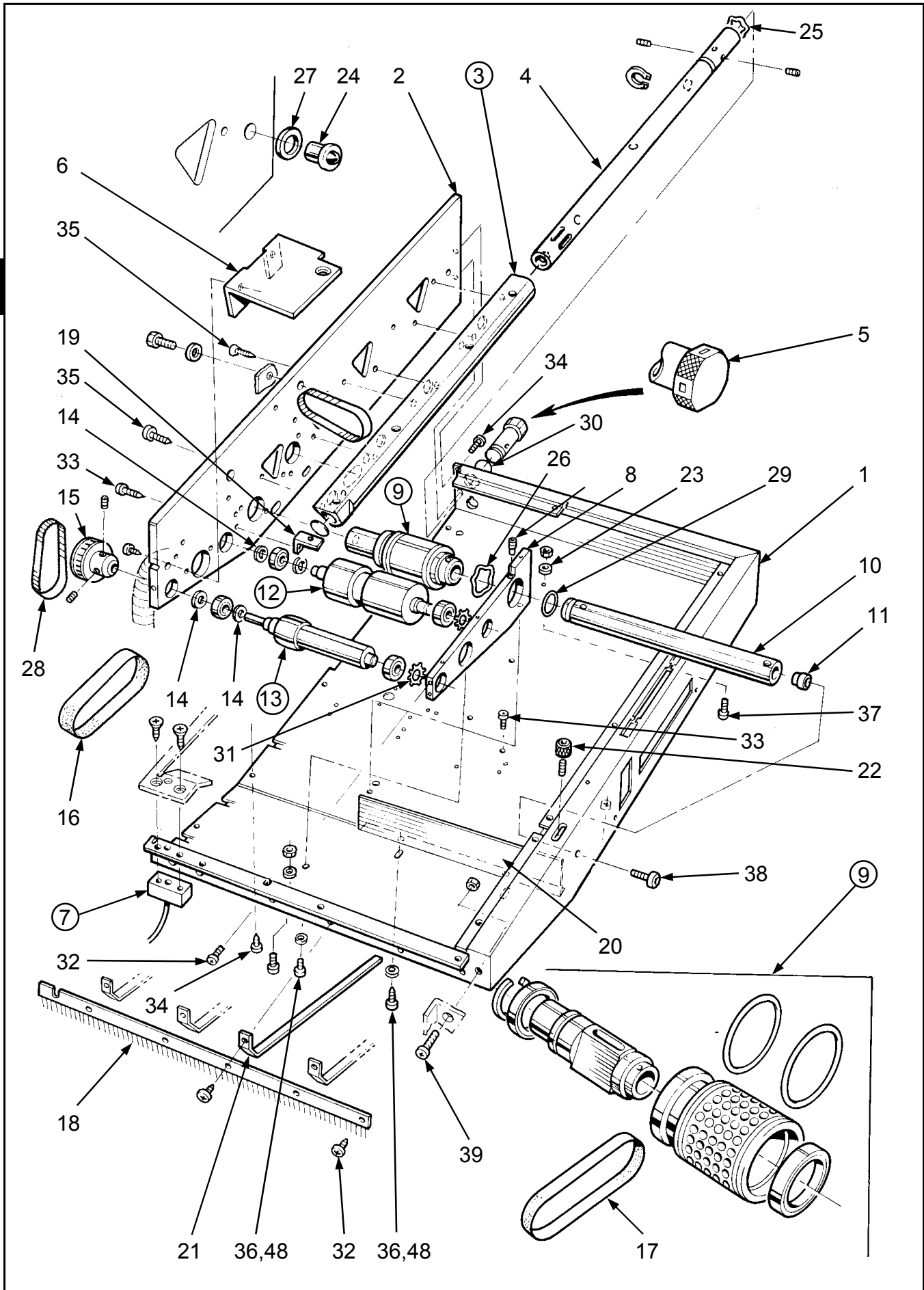
↩ THIS SECTION IS CONTINUED FROM THE PREVIOUS PAGE

ITEM	PART NUMBER	QTY	DESCRIPTION
32	606 - 023	1	HANDWHEEL
33	606 - 028	2	FOOT
34	606 - 029	1	HANDLE - Speed Control
35	613 - 027	1	CABLE TIE
36	613 - 339	1	CABLE TIE MOUNTING
37	613 - 464	1	CABLE GLAND - With Cable Support
38	615 - 031	4	FLEX - LOC BUSH
39	617 - 008	2	WHEEL
40	621 - 024	1	SIDE CHANNEL BLOWER
41	621 - 025	1	FAN - Plastic - 5 Blade
42	623 - 011	1	CLUTCH
43	401 - 02 - 030 - 008	2	Screw - Pan Pozi Taptite - M3 x 8 Long
44	401 - 02 - 040 - 008	11	Screw - Pan Pozi Taptite - M4 x 8 Long
45	401 - 02 - 040 - 020	1	Screw - Pan Pozi Taptite - M4 x 20 Long
46	401 - 02 - 050 - 008	10	Screw - Pan Pozi Taptite - M5 x 8 Long
47	401 - 02 - 060 - 010	2	Screw - Pan Pozi Taptite - M6 x 10 Long
48	403 - 01 - 040 - 050	2	Screw - Socket Cap Head - M4 x 50 Long
49	403 - 01 - 050 - 025	2	Screw - Socket Cap Head - M5 x 25 Long
50	404 - 01 - 060 - 010	2	Screw - Socket Countersunk - M6 x 10 Long
51	405 - 01 - 060 - 010	6	Screw - Socket Button Head - M6 x 10 Long
52	405 - 01 - 060 - 012	2	Screw - Socket Button Head - M6 x 12 Long
53	405 - 01 - 080 - 030	4	Screw - Socket Button Head - M8 x 30 Long
54	405 - 01 - 080 - 050	2	Screw - Socket Button Head - M8 x 50 Long
55	409 - 01 - 050 - 005	4	Screw - Socket Set - Flat Point - M5 x 5 Long
56	409 - 01 - 050 - 006	2	Screw - Socket Set - Flat Point - M5 x 6 Long
57	409 - 01 - 050 - 020	1	Screw - Socket Set - Flat Point - M5 x 20 Long
58	414 - 01 - 060 - 010	4	Screw - Hexagon Head - M6 x 10 Long
59	415 - 02 - 050 - 008	4	Screw - Hexagon Head - M5 x 8 Long
60	461 - 01 - 030	2	Nut - Full - M3
61	461 - 01 - 050	1	Nut - Full - M5
62	461 - 01 - 060	3	Nut - Full - M6
63	461 - 01 - 080	4	Nut - Full - M8
64	481 - 030	2	Washer - Plain - M3
65	481 - 050	2	Washer - Plain - M5
66	481 - 060	7	Washer - Plain - M6
67	481 - 080	2	Washer - Plain - M8



ITEM	PART NUMBER	QTY	DESCRIPTION
1	92 - 001	1	DELIVERY FRAME
2	92 - 002	1	DELIVERY COVER
3	92 - 003	1	STACKER - Hinged
4	92 - 004	1	SUPPORT STRAP
5	92 - 005	1	IDLER SHAFT
6	92 - 006	1	SUPPORT SHAFT - Delivery
7	92 - 010	4	TRANSPORT BELT - Delivery
8	92 - 018	1	CONTROL COLLAR - Stacker
9	92 - 020	1	CATCHING FRAME - Delivery
10	92 - 021	1	STACKING ROLLER - Long
11	92 - 022	2	END CAP - Stacking Roller
12	92 - 023	1	AXEL - Stacker Roller
13	92 - 026	1	DRIVE BELT - Delivery
14	92 - 028	1	CORD GUARD
15	92 - 029	1	CORD ROLLER ASSEMBLY
16	92 - 030	1	DELIVERY IDLER ASSEMBLY
17	92 - 039	1	SLIDE FRAME ASSEMBLY - Low
18	92 - 051	1	SLIDE SHAFT - Long - Stacker
19	92-044	1	SUPPORT BRACKET - Slide Shaft
20	92 - 040	1	GRAB HANDLE
21	01 - 120	2	UNIVERSAL KNOB
22	602 - 047	4	IDLER PULLEY - LIGHT DUTY
23	605 - 003	2	NYLON WASHER
24	605 - 040	2	NYLON WASHER
25	607 - 022	1	TWIN GRIP TIMING BELT
26	608 - 006	1	SHOULDER BOLT
27	615 - 004	3	CAPPED PUSH-ON FASTNER Ø6 SELF ALIGN
28	615 - 005	2	NO GROOVE CIRCLIP Ø10 (GRIP - RING)
29	401 - 02 - 040 - 006	8	Screw - Pan Pozi Taptite - M4 x 6 Long
30	401 - 02 - 040 - 008	15	Screw - Pan Pozi Taptite - M4 x 8 Long
31	401 - 02 - 040 - 010	1	Screw - Pan Pozi Taptite - M4 x 10 Long
32	401 - 02 - 050 - 008	4	Screw - Pan Pozi Taptite - M5 x 8 Long
33	403 - 01 - 060 - 010	1	Screw - Socket Cap Head - M6 x 10 Long
34	405 - 01 - 040 - 008	2	Screw - Socket Button Head - M4 x 8 Long
35	405 - 01 - 060 - 010	1	Screw - Socket Button Head - M6 x 10 Long
36	409 - 01 - 040 - 004	2	Screw - Socket Set - Flat Point - M4 x 4 Long
37	409 - 01 - 040 - 016	1	Screw - Socket Set - Flat Point - M4 x 16 Long
38	461 - 01 - 060	1	Nut - Full - M6
39	481 - 040	2	Washer - Plain - M4
40	481 - 060	2	Washer - Plain - M6
41	481 - 080	1	Washer - Plain - M8

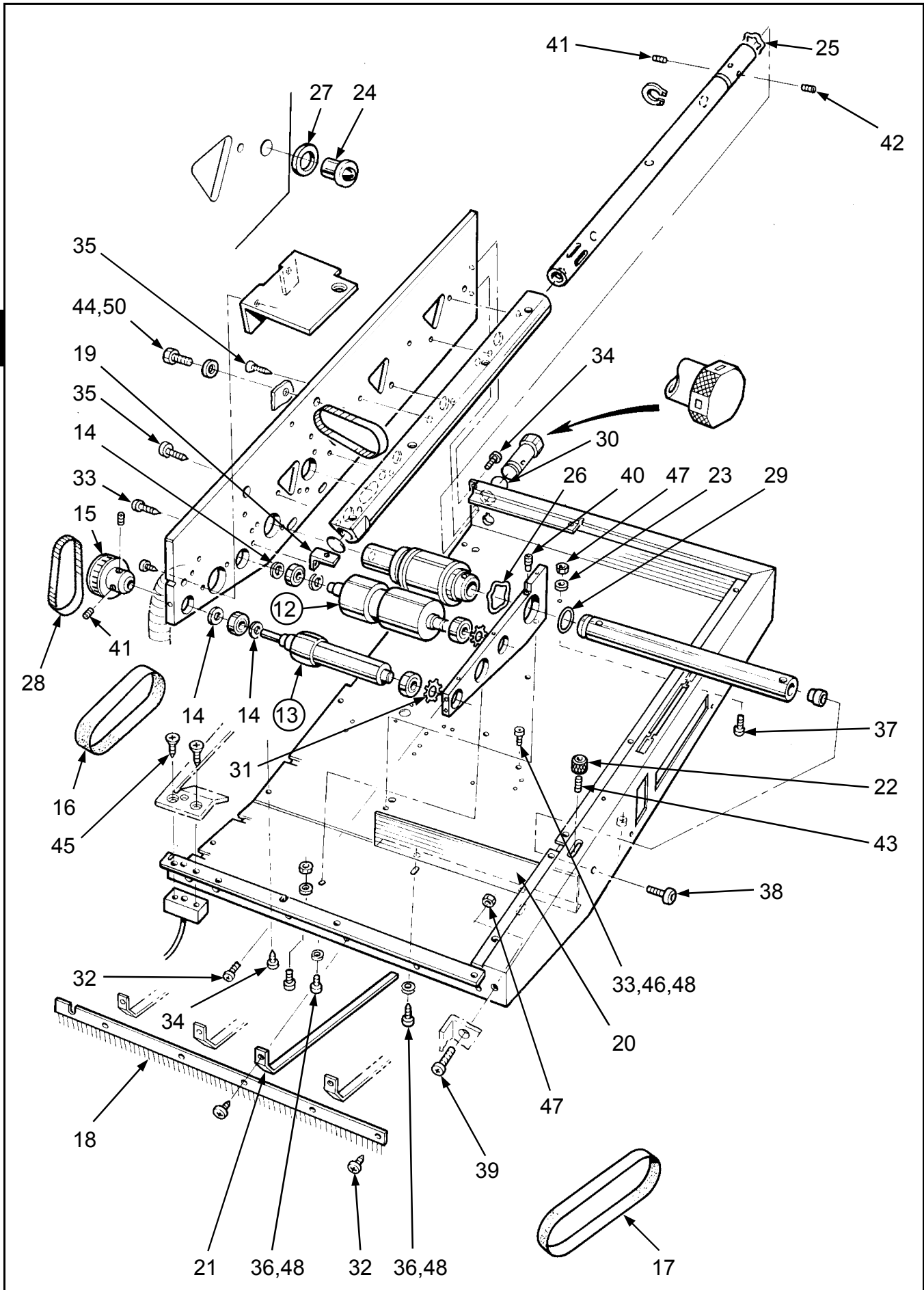
3



ITEM	PART NUMBER	QTY	DESCRIPTION
1	93 - 001	1	FEED SYSTEM FRAME
2	93 - 002	1	MANIFOLD PLATE - Auto
③	93 - 029	1	MANIFOLD TUBE ASSEMBLY
4	93 - 004	1	AIR DISTRIBUTION TUBE.
5	93 - 005	1	KNOB - Air Distribution
6	93 - 007	1	BELT SUPPORT
⑦	93 - 025	1	LOWER SENSOR ASSEMBLY
8	93 - 010	1	CENTRE SUPPORT PLATE
⑨	93 - 030	1	VACUUM ROLLER ASSEMBLY
10	93 - 014	1	CHOKE SHAFT
11	93 - 015	1	LOCKING SPOOL - Choke shaft
⑫	93 - 031	1	FEED DRUM ASSEMBLY - Idler
⑬	93 - 032	1	FEED DRUM ASSEMBLY - Drive
14	93 - 023	4	SHIELD - Self Aligning Ball Race
15	93 - 020	1	FEED DRIVE PULLEY
16	93 - 021	1	FEED BELT
17	93 - 022	1	DRIVE BELT - Vacuum Roller
18	93 - 024	1	ANTI - STATIC BRUSH STRIP
19	93 - 033	1	SUPPORT BRACKET - Control Bed
20	93 - 027	1	BAFFLE - Feed System
21	93 - 028	4	SMOOTHER - Delivery
22	01 - 119	1	UNIVERSAL KNOB
23	51 - 095	1	CLAMP WASHER
24	601 - 088	1	SPRING PLUNGER - PRESS IN
25	604 - 060	1	WAVED WASHER
26	604 - 062	1	WAVED WASHER
27	605 - 004	1	NYLON WASHER
28	607 - 027	1	TIMING BELT
29	609 - 011	1	'O' RING
30	609 - 014	1	'O' RING
31	615 - 035	2	METRIC PUSH-IN FIX
32	401 - 02 - 040 - 008	13	Screw - Pan Pozi Taptite - M4 x 8 Long
33	401 - 02 - 040 - 016	8	Screw - Pan Pozi Taptite - M4 x 16 Long
34	402 - 02 - 040 - 008	2	Screw - Countersunk Pozi Taptite - M4 x 8 Long
35	402 - 02 - 040 - 016	3	Screw - Countersunk Pozi Taptite - M4x16 Long
36	403 - 01 - 040 - 008	5	Screw - Socket Cap Head - M4 x 8 Long
37	403 - 01 - 060 - 012	5	Screw - Socket Cap Head - M6 x 12 Long
38	405 - 01 - 060 - 010	2	Screw - Socket Button Head - M6 x 10 Long
39	405 - 01 - 060 - 012	2	Screw - Socket Button Head - M6 x 12 Long
40	408 - 01 - 050 - 030	1	Screw - Socket Set - Cone Point - M5 x 30 Long

THIS SECTION IS CONTINUED ON THE FOLLOWING PAGES 

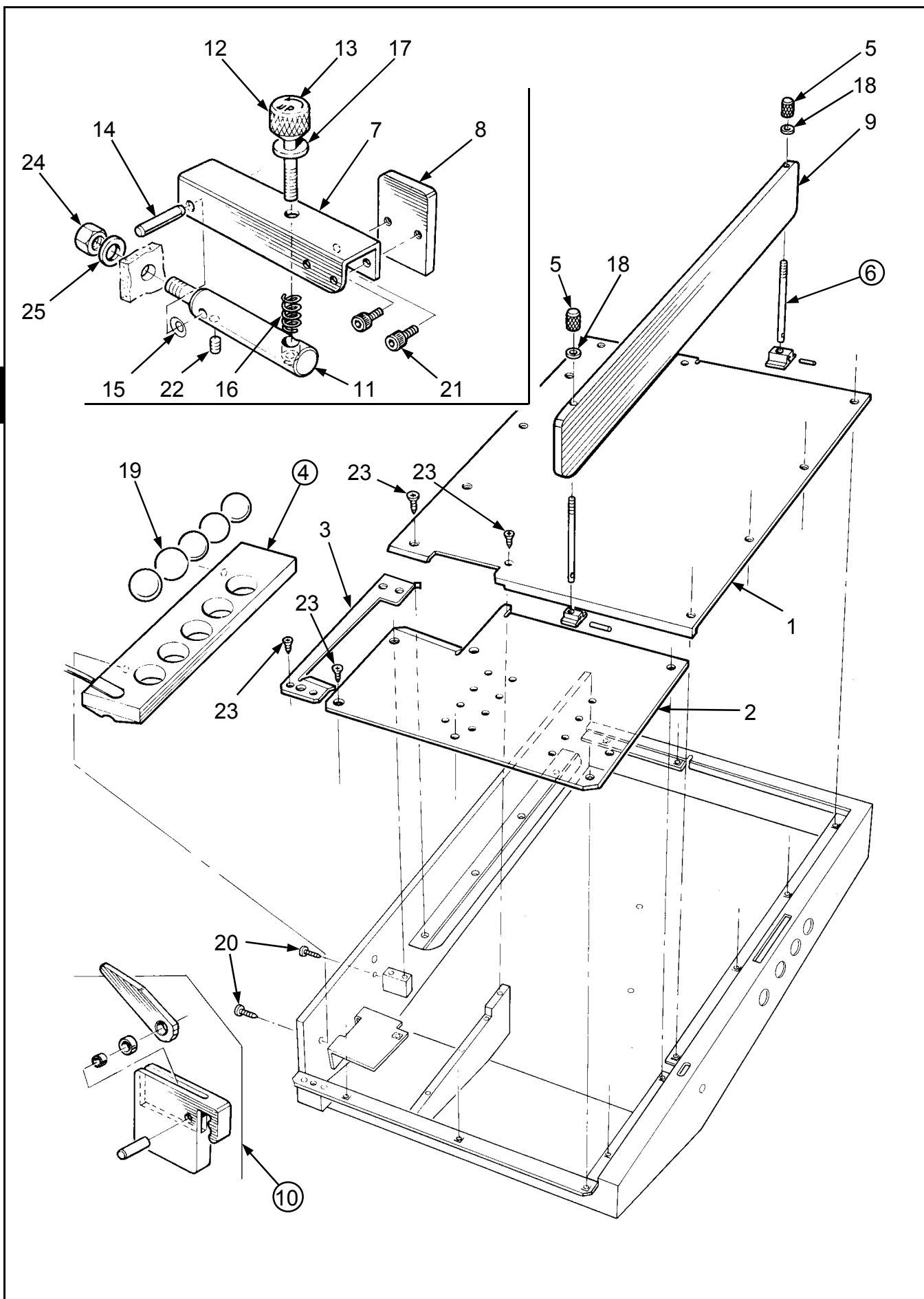
3



↩ THIS SECTION IS CONTINUED FROM THE PREVIOUS PAGE

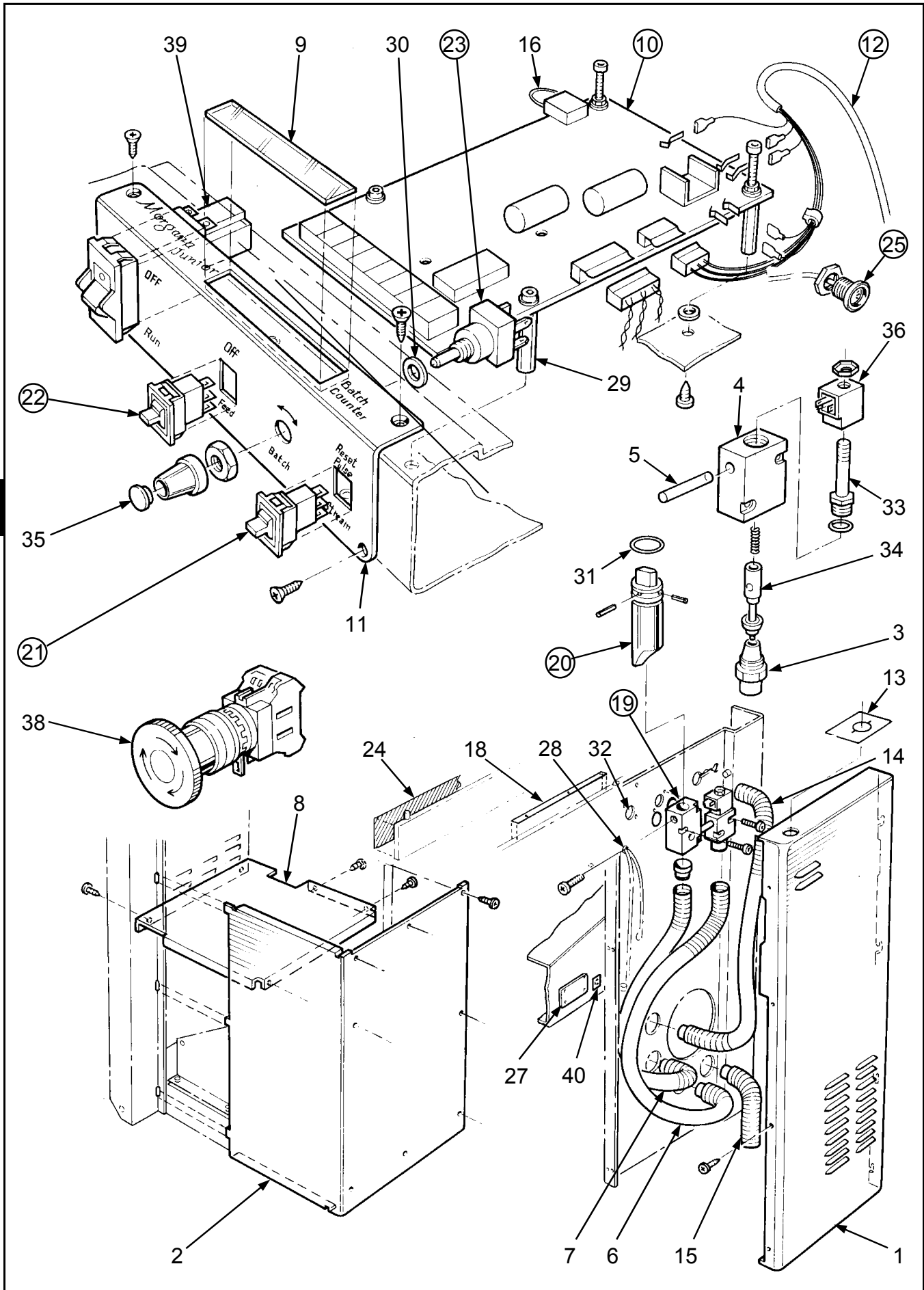
ITEM	PART NUMBER	QTY	DESCRIPTION
14	93 - 023	4	SHIELD - Self Aligning Ball Race
15	93 - 020	1	FEED DRIVE PULLEY
16	93 - 021	1	FEED BELT
17	93 - 022	1	DRIVE BELT - Vacuum Roller
18	93 - 024	1	ANTI - STATIC BRUSH STRIP
19	93 - 033	1	SUPPORT BRACKET - Control Bed
20	93 - 027	1	BAFFLE - Feed System
21	93 - 028	4	SMOOTHER - Delivery
22	01 - 119	1	UNIVERSAL KNOB
23	51 - 095	1	CLAMP WASHER
24	601 - 088	1	SPRING PLUNGER - PRESS IN
25	604 - 060	1	WAVED WASHER
26	604 - 062	1	WAVED WASHER
27	605 - 004	1	NYLON WASHER
28	607 - 027	1	TIMING BELT
29	609 - 011	1	'O' RING
30	609 - 014	1	'O' RING
31	615 - 035	2	METRIC PUSH-IN FIX
32	401 - 02 - 040 - 008	13	Screw - Pan Pozi Taptite - M4 x 8 Long
33	401 - 02 - 040 - 016	8	Screw - Pan Pozi Taptite - M4 x 16 Long
34	402 - 02 - 040 - 008	2	Screw - Countersunk Pozi Taptite - M4 x 8 Long
35	402 - 02 - 040 - 016	3	Screw - Countersunk Pozi Taptite - M4x16 Long
36	403 - 01 - 040 - 008	5	Screw - Socket Cap Head - M4 x 8 Long
37	403 - 01 - 060 - 012	1	Screw - Socket Cap Head - M6 x 12 Long
38	405 - 01 - 060 - 010	2	Screw - Socket Button Head - M6 x 10 Long
39	405 - 01 - 060 - 012	2	Screw - Socket Button Head - M6 x 12 Long
40	408 - 01 - 050 - 030	1	Screw - Socket Set - Cone Point - M5 x 30 Long
41	409 - 01 - 040 - 006	3	Screw - Socket Set - Flat Point - M4 x 6 Long
42	409 - 01 - 040 - 012	1	Screw - Socket Set - Flat Point - M4 x 12 Long
43	409 - 01 - 060 - 035	1	Screw - Socket Set - Flat Point - M6 x 35 Long
44	414 - 01 - 080 - 012	4	Screw - Hexagon Head - M8 x 12 Long
45	417 - 04 - 006 - 312	2	Screw - Trunc/Csk Pozi T/T-#6-32 UNC x 5/16 L
46	461 - 01 - 040	1	Nut - Full - M4
47	461 - 01 - 060	1	Nut - Full - M6
48	481 - 040	5	Washer - Plain - M4
49	481 - 060	2	Washer - Plain - M6
50	481 - 080	3	Washer - Plain - M8

4



ITEM	PART NUMBER	QTY	DESCRIPTION
1	94 - 051	1	LOADING TABLE
2	94 - 052	1	FEED BED
3	94 - 003	1	CONTROL BED
④	94 - 006	1	UPPER SENSOR ASSEMBLY
5	94 - 026	2	CLAMP KNOB - Side Lay
⑥	94 - 028	2	LOCK PIN ASSEMBLY - Side Lay
7	94 - 039	1	CHASSIS - Paper Gate
8	94 - 040	1	PAPERGATE - Rectangular
9	94 - 053	1	SIDELAY - Solid
⑩	94 - 058	1	BACKSTOP ASSEMBLY - Clamped
11	94 - 059	1	SUPPORT POST - Rectangular Paper gate
12	94 - 020	1	KNOB - Paper gate
13	94 - 021	1	LABEL - 'UP' Graphcs
14	603 - 050	1	DOWEL PIN
15	604 - 037	1	DISC SPRING
16	604 - 061	1	COMPRESSION SPRING Ø10.67xØ1.3w
17	605 - 041	1	SPHERICAL SEATING WASHER ØM6
18	605 - 043	2	NYLON WASHER (M5)
19	617 - 003	5	Ø20 STEEL BALLS
20	401 - 02 - 050 - 020	2	Screw - Pan Pozi Taptite - M5 x 20 Long
21	403 - 01 - 040 - 008	2	Screw - Socket Cap Head - M4 x 8 Long
22	409 - 01 - 040 - 006	1	Screw - Socket Set - Flat Point - M4 x 6 Long
23	417 - 04 - 006 - 312	22	Screw - Trunc/ Csk Pozi T/T-#6-32 UNC x 5/16 L
24	461 - 01 - 010	1	Nut - Full - M10
25	481 - 010	1	Washer - Plain - M10

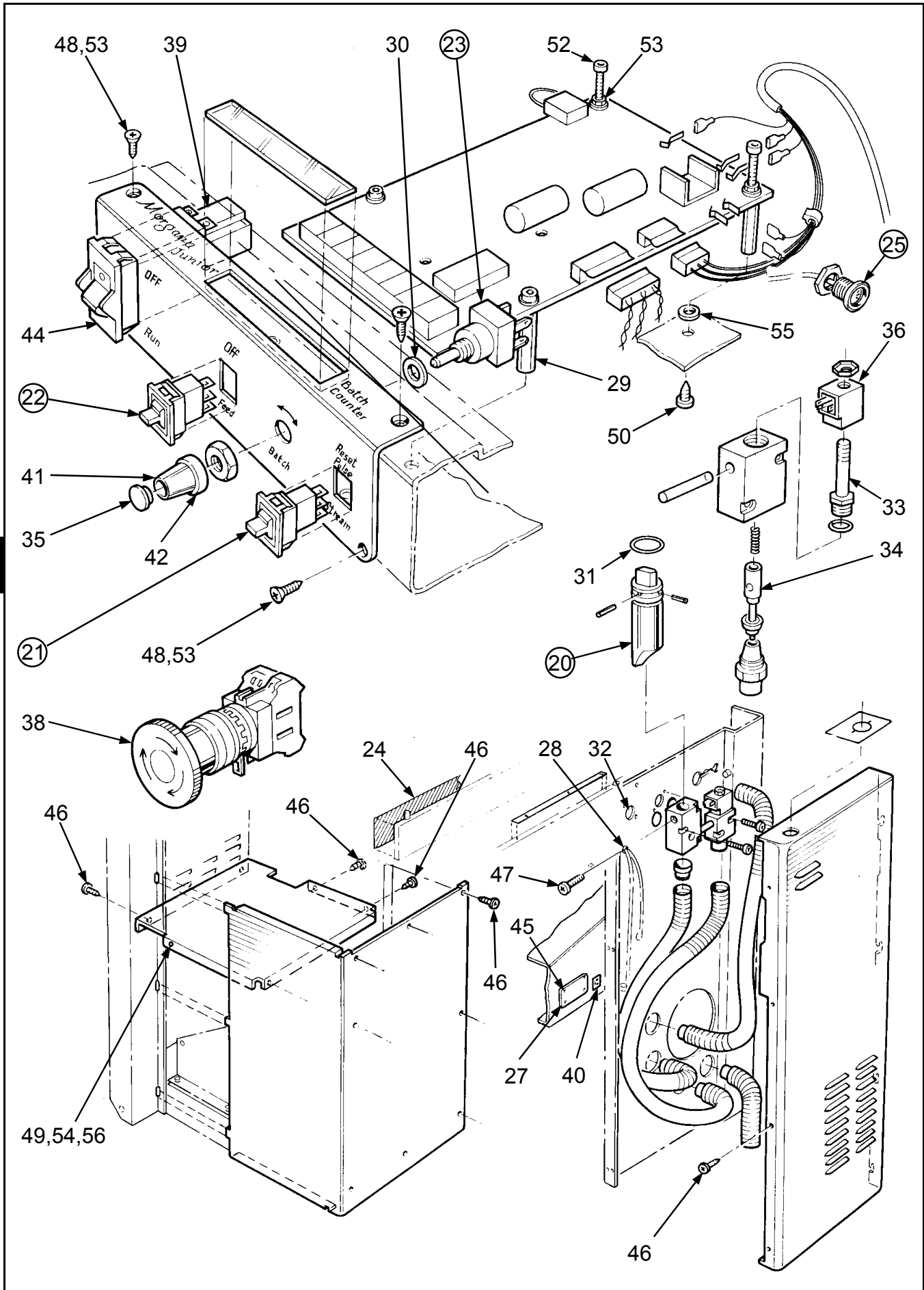
5



ITEM	PART NUMBER	QTY	DESCRIPTION
1	95 - 001	1	SERVICE PANEL
2	95 - 009	1	COMPRESSOR ACCESS PANEL
3	95 - 011	1	VALVE SEAT - Vacuum Port
4	95 - 012	1	VALVE BLOCK - Solenoid
5	95 - 063	1	CROSS TUBE Valves
6	95 - 017	1	HOSE - Vacuum
7	95 - 018	1	HOSE - Separation Air
8	95 - 019	1	INTERNAL BAFFLE
9	95 - 020	1	LENS - Display
⑩	95 - 021	1	CONTROL PCB - Counter / Batcher
11	95 - 024	1	BATCHER PANEL - Printed
⑫	95 - 027	1	WIRING LOOM
13	95 - 030	1	LABEL - Air Separation
14	95 - 031	1	HOSE - Evacuation
15	95 - 032	1	HOSE - Exhaust
16	95 - 034	1	VOLTAGE SELECTOR PLUG
17	95 - 036	1	LABEL - 'Morgana Junior'
18	95 - 038	1	LABEL - Manifold Numbers
⑬	95 - 039	1	AIR CONTROL BLOCK ASSEMBLY
⑭	95 - 040	1	AIR SPOOL ASSEMBLY
⑮	95 - 046	1	SWITCH ASSEMBLY - (Reset / Pulse / Stream)
⑯	95 - 047	1	SWITCH ASSEMBLY - (Feed - Junior)
⑰	95 - 049	1	ROTARY ENCODER ASSEMBLY
24	94 - 035	1	LABEL - Quick Start (Junior - Metric)
⑳	95 - 068	1	LEAD - Diagnostic
26			
27	65 - 092 - 04	1	SPECIFICATION PLATE
28	601 - 036	2	GROMMET
29	601 - 090	4	PILLAR - Hexagon
30	605 - 002	1	NYLON WASHER
31	609 - 011	1	'O' RING
32	609 - 013	2	'O' RING
33	613 - 136	1	TUBE & NUT ASSY
34	613 - 137	1	PLUNGER & SPRING ASSY
35	613 - 237	1	CAP
36	613 - 255	1	SOLENOID COIL
37	613 - 339	2	CABLE TIE MOUNTING
38	613 - 365	1	EMERGENCY STOP SWITCH
39	613 - 376	1	SWITCH - System
40	613 - 377	1	SNAP-FIT INLET

THIS SECTION IS CONTINUED ON THE FOLLOWING PAGES 

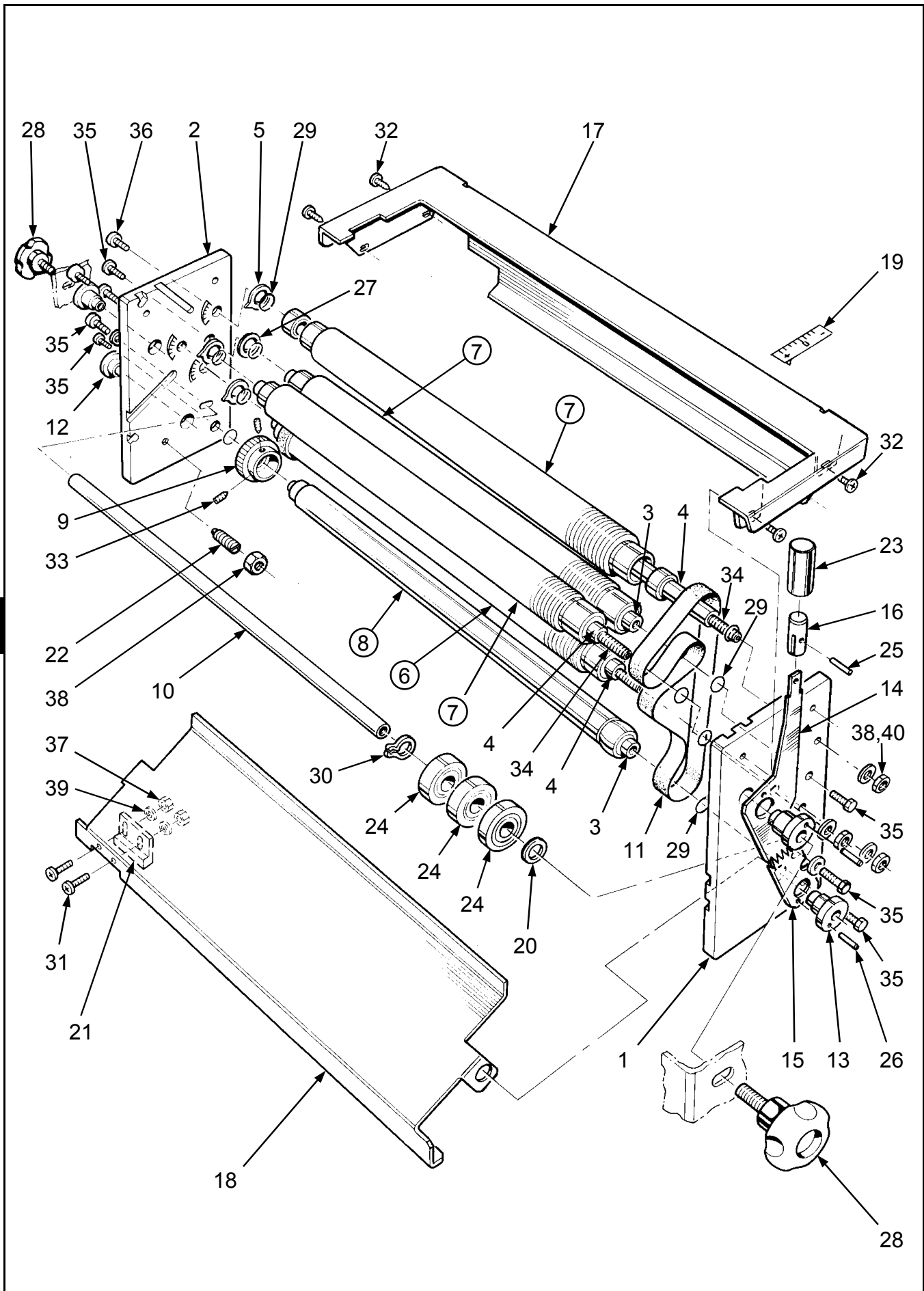
5



↖ THIS SECTION IS CONTINUED FROM THE PREVIOUS PAGE

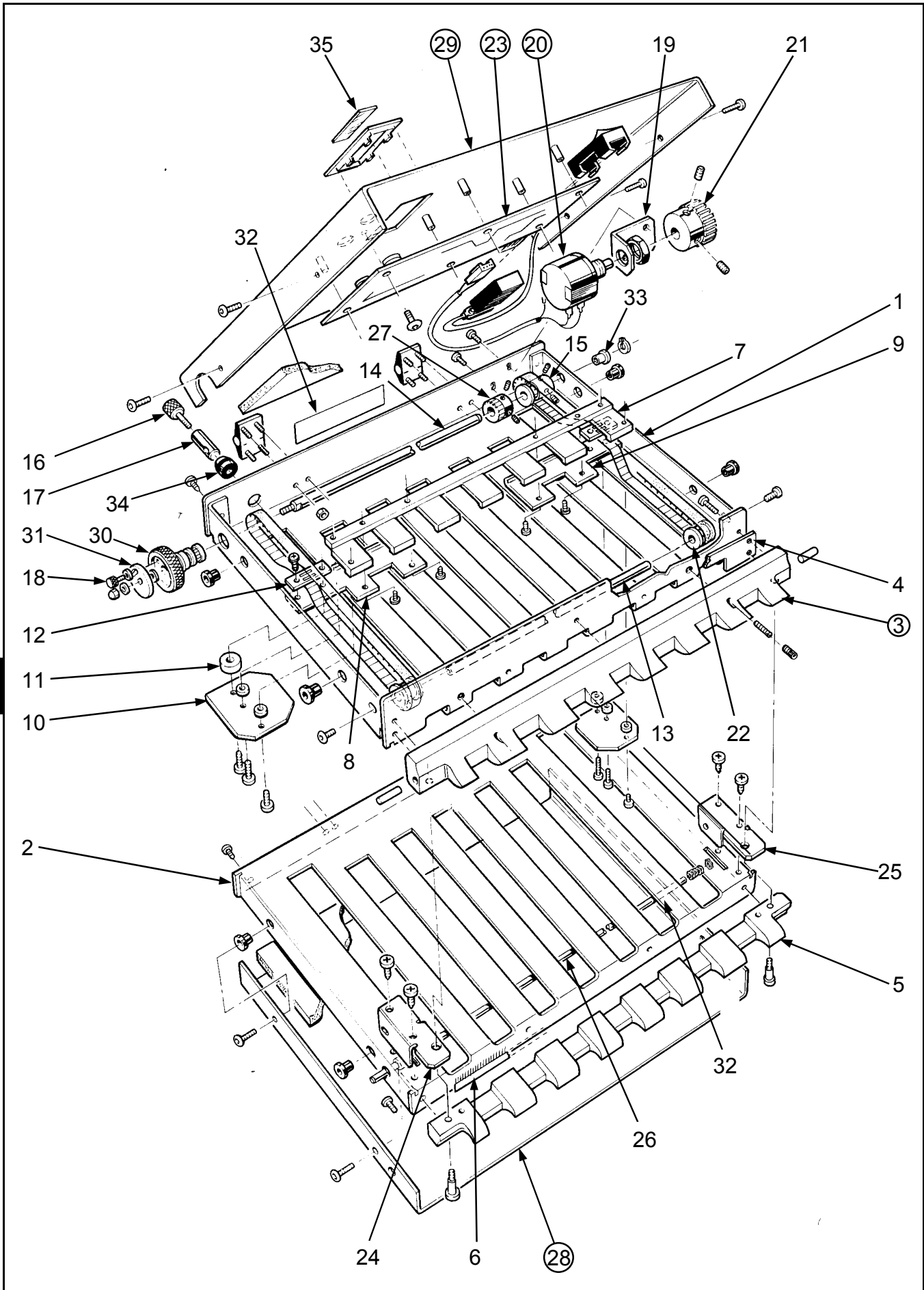
ITEM	PART NUMBER	QTY	DESCRIPTION
20	95 - 040	1	AIR SPOOL ASSEMBLY
21	95 - 046	1	SWITCH ASSEMBLY - (Reset / Pulse / Stream)
22	95 - 047	1	SWITCH ASSEMBLY - (Feed - Junior)
23	95 - 049	1	ROTARY ENCODER ASSEMBLY
24	94 - 035	1	LABEL - Quick Start (Junior - Metric)
25	95 - 068	1	LEAD - Diagnostic
26			
27	65 - 092 - 04	1	SPECIFICATION PLATE
28	601 - 036	2	GROMMET
29	601 - 090	4	PILLAR - Hexagon
30	605 - 002	1	NYLON WASHER
31	609 - 011	1	'O' RING
32	609 - 013	2	'O' RING
33	613 - 136	1	TUBE & NUT ASSY
34	613 - 137	1	PLUNGER & SPRING ASSY
35	613 - 237	1	CAP
36	613 - 255	1	SOLENOID COIL
37	613 - 339	2	CABLE TIE MOUNTING
38	613 - 365	1	EMERGENCY STOP SWITCH
39	613 - 376	1	SWITCH - System
40	613 - 377	1	SNAP-FIT INLET
41	613 - 385	1	KNOB
42	613 - 386	1	NUT COVER
43	613 - 388	8	CABLE TIE
44	613 - 396	1	SWITCH SHROUD
45	615 - 022	4	POP RIVET
46	401 - 02 - 040 - 008	26	Screw - Pan Pozi Taptite - M4 x 8 Long
47	401 - 02 - 040 - 012	1	Screw - Pan Pozi Taptite - M4 x 12 Long
48	402 - 02 - 030 - 008	4	Screw - Countersunk Pozi Taptite - M3 x 8 Long
49	402 - 02 - 040 - 008	1	Screw - Countersunk Pozi Taptite - M4 x 8 Long
50	403 - 01 - 030 - 006	4	Screw - Socket Cap Head - M3 x 6 Long
51	403 - 01 - 030 - 020	4	Screw - Socket Cap Head - M3 x 20 Long
52	403 - 01 - 050 - 035	4	Screw - Socket Cap Head - M5 x 35 Long
53	461 - 01 - 030	6	Nut - Full - M3
54	461 - 01 - 040	1	Nut - Full - M4
55	481 - 030	4	Washer - Plain - M3
56	481 - 040	1	Washer - Plain - M4

6



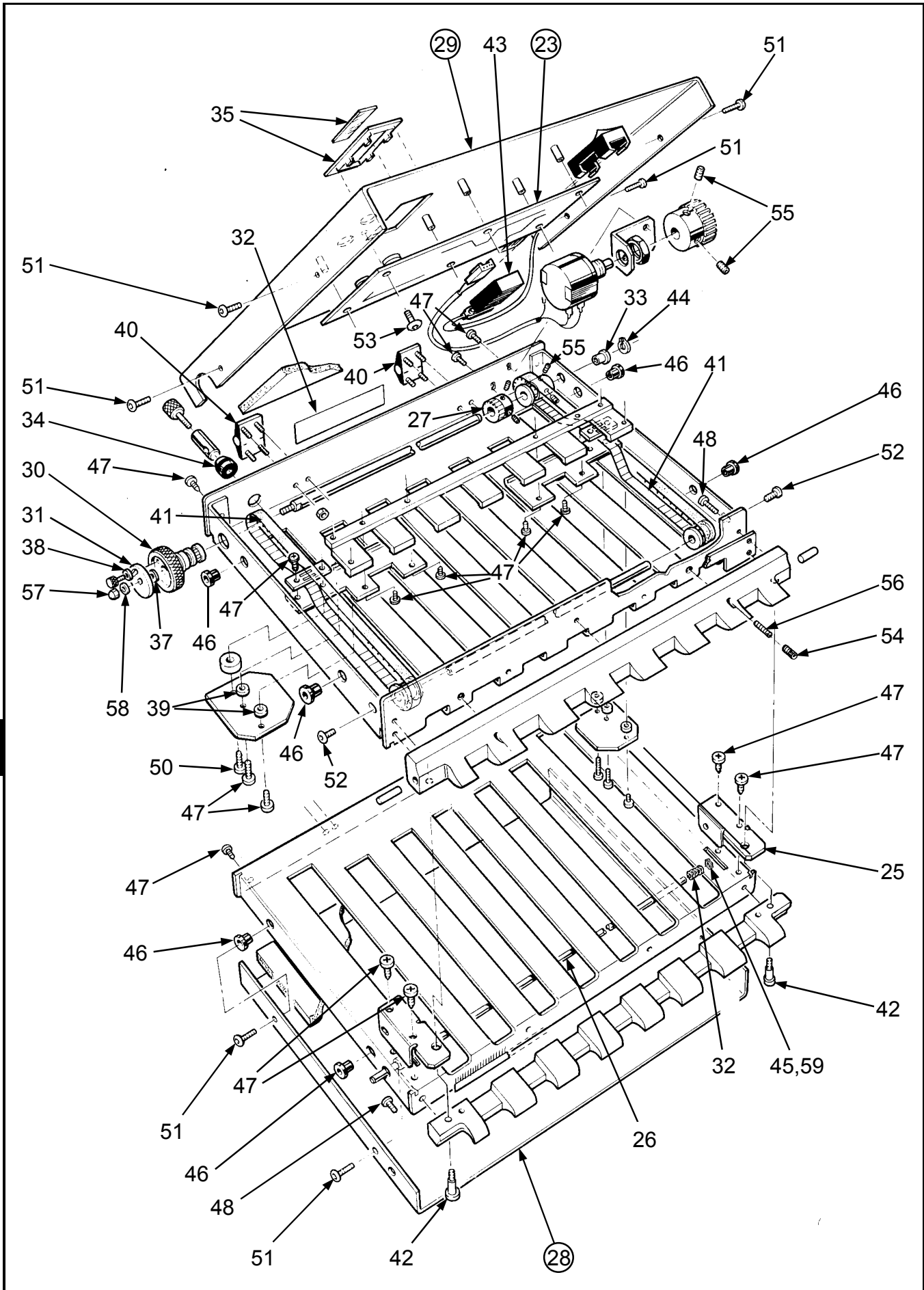
ITEM	PART NUMBER	QTY	DESCRIPTION
1	96 - 037	1	SIDE PLATE - Operator Side
2	96 - 052	1	SIDE PLATE - Drive Side
3	96 - 009	2	SHAFT - Roller Support (Large)
4	96 - 039	3	SHAFT - Roller Support (Large) - Eccentric
5	96 - 044	3	INDICATOR - Roller Position
⑥	96 - 049	1	FOLD ROLLER ASSEMBLY - Bottom
⑦	96 - 028	3	FOLD ROLLER ASSEMBLY - Standard
⑧	96 - 036	1	DRIVE ROLLER ASSEMBLY - Crowned
9	96 - 010	1	TIMING PULLEY
10	96 - 041	1	IDLER SHAFT
11	96 - 031	1	DRIVE BELT - Wide
12	96 - 040	2	BUSH - Roller Tilt
13	96 - 043	2	ECCENTRIC BUSH - Roller Tilt
14	96 - 045	1	TILT LEVER - Toothed
15	96 - 046	1	TILT PLATE - Toothed
16	96 - 047	1	KNOB - Roller Tilt Lever
17	96 - 042	1	ENTRY GUARD - One piece Steel
18	96 - 032	1	ROLLER GUARD
19	96-053	1	LABEL
20	12 - 013	1	SPACER
21	601 - 021	1	MAGNETIC ACTUATOR
22	601 - 081	1	SPRING PLUNGER
23	601 - 111	1	TAPERED FERRULE
24	602 - 001	3	BALL RACE
25	603 - 033	1	TENSION PIN
26	603 - 060	2	PIN - Std. Coiled
27	605 - 049	2	SUPPORT WASHER
28	606 - 030	2	SCALLOP KNOB - Black
29	609 - 023	10	O'RING
30	615 - 005	1	NO GROOVE CIRCLIP
31	401 - 02- 030 - 008	2	Screw - Pan Pozi Taptite - M3 x 8 Long
32	401 - 02- 040 - 008	4	Screw - Pan Pozi Taptite - M4 x 8 Long
33	407 - 01- 040 - 006	2	Screw - Socket Set - Knurled Pt - M4 x 6
34	411 - 01- 080 - 025	3	Screw - Socket Set - Dog Pt - M8 x 25 Long
35	415 - 01- 060 - 016	6	Screw - Hexagon Head - M6 x 16 Long
36	419 - 01- 080 - 012	3	Screw - Socket - Low Head Cap
37	461 - 01 - 030	2	Nut - Full - M3
38	462 - 01 - 080	4	Nut - Half - M8
39	481 - 030	4	Washer - Plain - M3
40	481 - 080	3	Washer - Plain - M8

7



ITEM	PART NUMBER	QTY	DESCRIPTION
1	97 - 001	1	TOP BOX - Deflector
2	97 - 003	1	BOTTOM BOX - Deflector
③	97 - 019	1	TOP RAIL ASSEMBLY - Deflector
4	97 - 093	1	SPACER PLATE - Top Rail (Deflector)
5	97 - 007	1	BOTTOM RAIL - Deflector
6	98 - 013	1	ANTI-STATIC BRUSH - Small
7	97 - 009	1	DEFLECTOR - Extruded
8	97 - 073	1	DEFLECTOR CARRIAGE - Op Side
9	97 - 074	1	DEFLECTOR CARRIAGE - Drive Side
10	97 - 012	2	DEFLECTOR GUIDE - Standard
11	97 - 017	2	GUIDE SPACER
12	97 - 016	2	BELT CLAMP
13	97 - 029	1	IDLER SHAFT
14	97 - 024	1	CONTROL SHAFT
15	97 - 025	1	CONTROL PULLEY - Shaft
16	97 - 026	1	CONTROL LOCK
17	97 - 027	1	CONTROL LOCK - KNOB
18	97 - 028	1	TILT LOCK KNOB
19	97 - 033	1	MOUNTING BRACKET - Pot
⑳	97 - 075	1	POT & LEAD ASSEMBLY
21	97 - 032	1	CONTROL GEAR - Pot
22	97 - 030	2	IDLER REEL
㉓	97 - 040	1	POSITIONAL DISPLAY P.C.B.
24	97 - 087	1	LATCHING BRACKET - Op. Side
25	97 - 088	1	LATCHING BRACKET - Lay Side
26	97 - 034	1	LATCHING SHAFT
27	97 - 031	1	CONTROL GEAR - Shaft
㉘	97 - 065	1	BOTTOM COVER ASSEMBLY - Digital Deflector
㉙	97 - 061	1	TOP COVER ASSEMBLY - Digital Deflector
30	97 - 021	1	CONTROL DIAL ASSEMBLY
31	97 - 039	1	TILT DISK - Printed
32	97 - 038	1	LABEL - 'Pull Down To Lock'
33	97-117	1	BUSH BEARING
34	601 - 084	1	GROMMETT
35	601 - 086	1	BEZAL & LENS
36	604 - 070	1	COMPRESSION SPRING

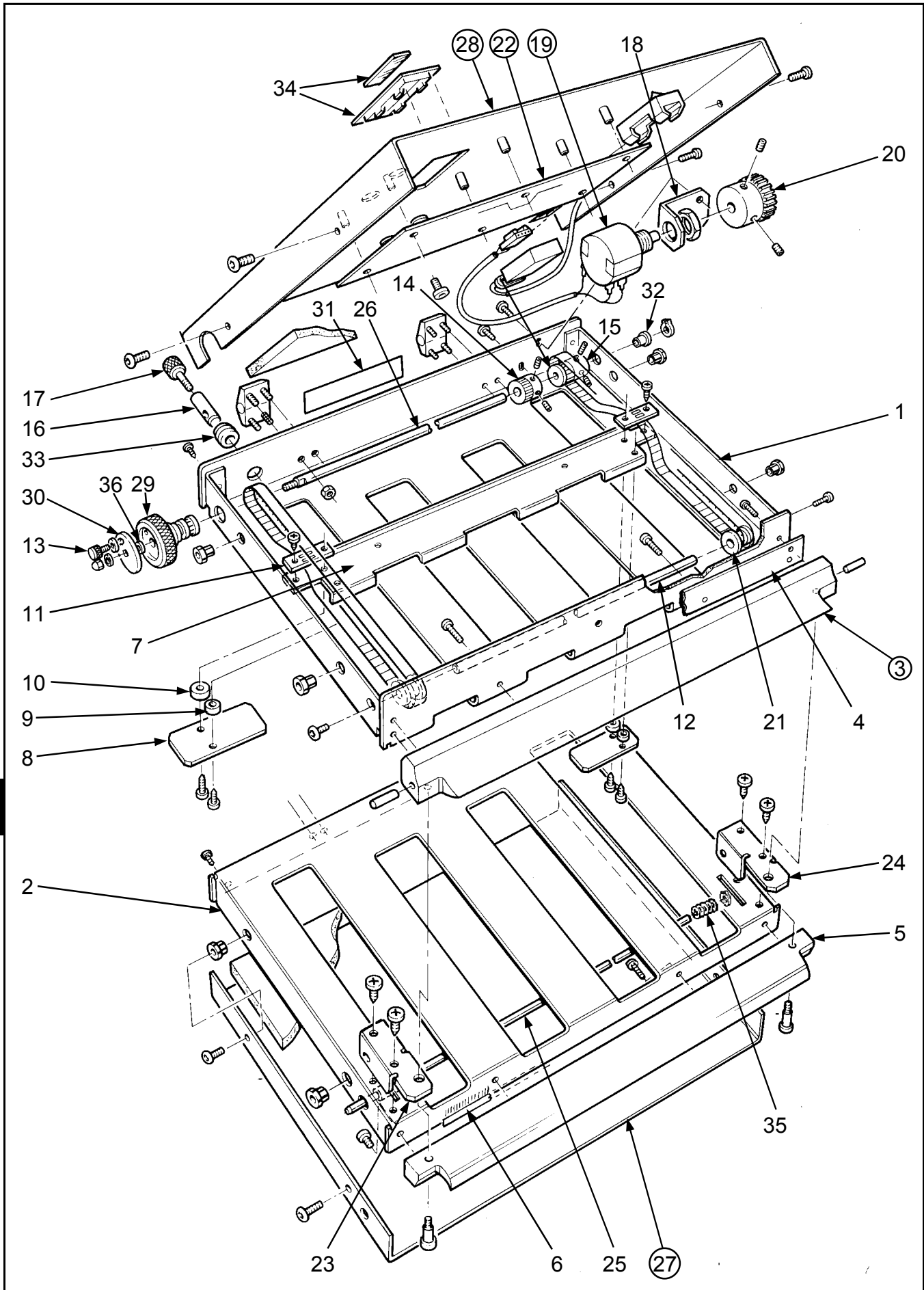
THIS SECTION IS CONTINUED ON THE FOLLOWING PAGES 



7

 THIS SECTION IS CONTINUED FROM THE PREVIOUS PAGE

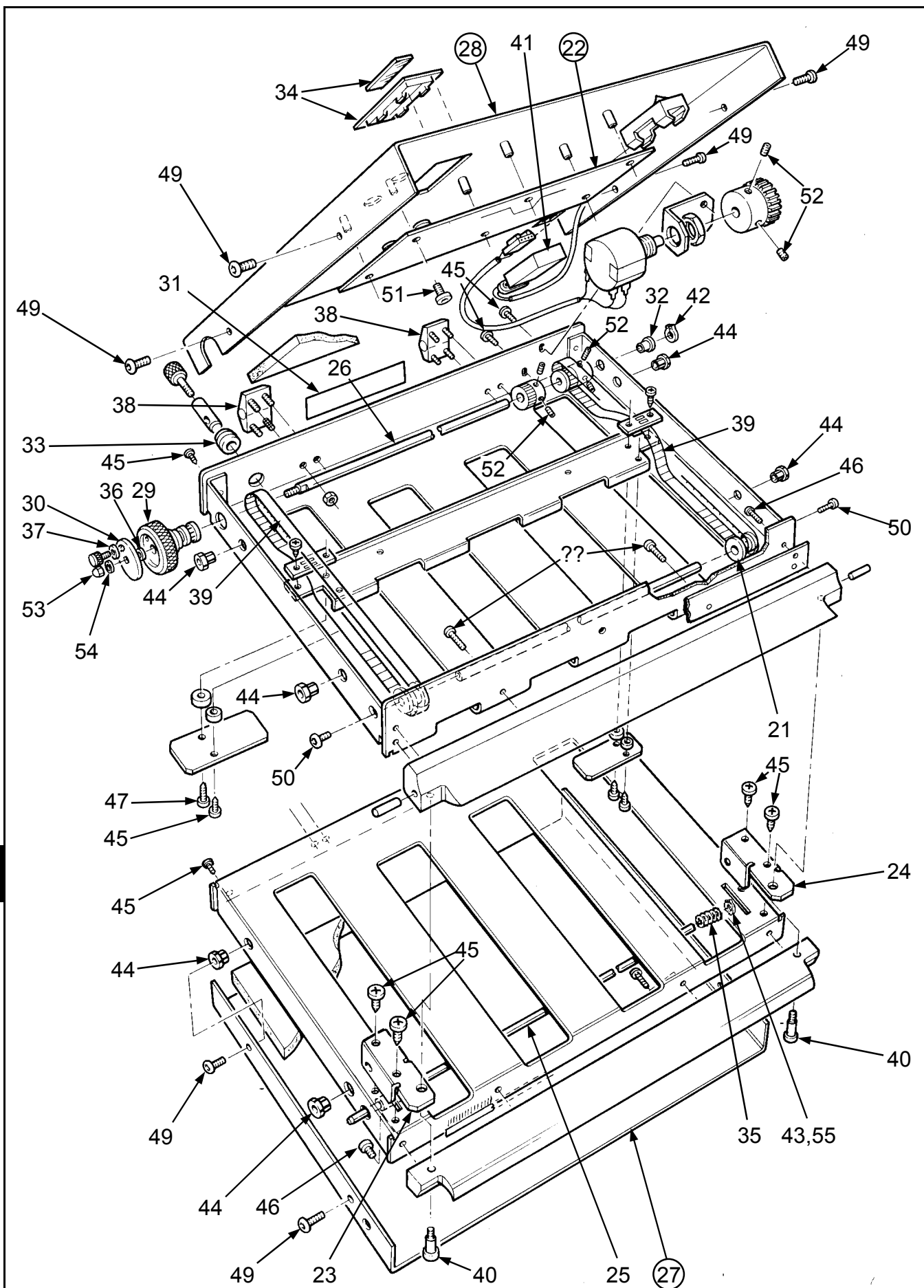
ITEM	PART NUMBER	QTY	DESCRIPTION
25	97 - 088	1	LATCHING BRACKET - Lay Side
26	97 - 034	1	LATCHING SHAFT
27	97 - 031	1	CONTROL GEAR - Shaft
28	97 - 065	1	BOTTOM COVER ASSEMBLY - Digital Deflector
29	97 - 061	1	TOP COVER ASSEMBLY - Digital Deflector
30	97 - 021	1	CONTROL DIAL ASSEMBLY
31	97 - 039	1	TILT DISK - Printed
32	97 - 038	1	LABEL - 'Pull Down To Lock'
33	97-117	1	BUSH BEARING
34	601 - 084	1	GROMMETT
35	601 - 086	1	BEZEL & LENS
36	604 - 070	1	COMPRESSION SPRING
37	605 - 004	2	NYLON WASHER
38	605 - 021	2	NYLON WASHER
39	605 - 042	4	SKIFFY SLEEVE BEARING
40	606 - 019	2	HINGE
41	607 - 026	2	TIMING BELT
42	608 - 004	2	SHOULDER BOLT
43	613 - 379	1	BATTERY - PP3
44	615 - 009	1	STARLOCK
45	615 - 016	1	CIRCLIP - External
46	615 - 032	8	FLEX - LOC BUSHES
47	401 - 02 - 040 - 006	14	Screw - Pan Pozi Taptite - M4 x 6 Long
48	401 - 02 - 040 - 008	13	Screw - Pan Pozi Taptite - M4 x 8 Long
49	401 - 02 - 040 - 012	4	Screw - Pan Pozi Taptite - M4 x 12 Long
50	401 - 02 - 040 - 016	2	Screw - Pan Pozi Taptite - M4 x 16 Long
51	405 - 01 - 040 - 016	8	Screw - Socket Button Head - M4 x 16 Long
52	405 - 01 - 050 - 010	2	Screw - Socket Button Head - M5 x 10 Long
53	405 - 03 - 006 - 250	6	Screw - Socket Button Hd. - #6-32 UNC x 1/4 Lg.
54	407 - 01 - 050 - 006	1	Screw - Socket Set - Knurled Point - M5 x 6 Long
55	409 - 01 - 040 - 004	6	Screw - Socket Set - Flat Point - M4 x 4 Long
56	409 - 01 - 050 - 016	2	Screw - Socket Set - Flat Point - M5 x 16 Long
57	463 - 01 - 050	1	Nut - Domed - M5
58	481 - 050	1	Washer - Plain - M5
59	481 - 060	1	Washer - Plain - M6



7

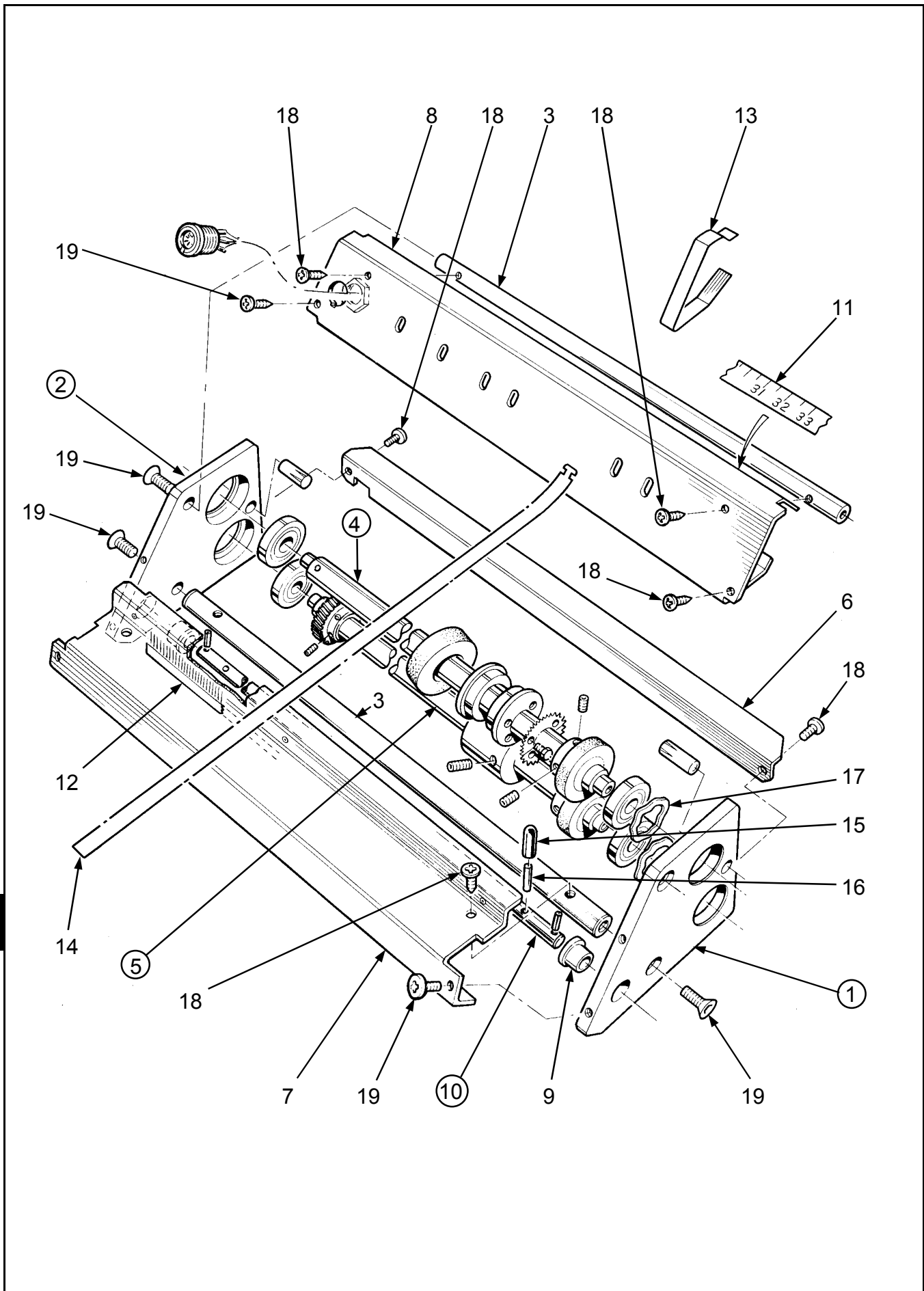
ITEM	PART NUMBER	QTY	DESCRIPTION
1	97 - 002	1	TOP BOX - Stop
2	97 - 004	1	BOTTOM BOX - Stop
③	97 - 020	1	TOP RAIL ASSEMBLY - Stop
4	97 - 094	1	SPACER PLATE - Top Rail
5	97 - 008	1	BOTTOM RAIL - Stop
6	98 - 013	1	ANTI-STATIC BRUSH - Small
7	97 - 010	1	STOP - Fold Plate
8	97 - 014	2	STOP GUIDE - Standard
9	97 - 018	2	STOP SPACER
10	97 - 017	2	GUIDE SPACER
11	97 - 016	2	BELT CLAMP
12	97 - 029	1	IDLER SHAFT
13	97 - 028	1	TILT LOCK KNOB
14	97 - 031	1	CONTROL GEAR - Shaft
15	97 - 025	1	CONTROL PULLEY - Shaft
16	97 - 026	1	CONTROL LOCK
17	97 - 027	1	CONTROL LOCK KNOB
18	97 - 033	1	MOUNTING BRACKET - Pot
⑱	97 - 075	1	POT & LEAD ASSEMBLY
20	97 - 032	1	CONTROL GEAR - Pot
21	97 - 030	2	IDLER REEL
⑳	97 - 040	1	POSITIONAL DISPAY P.C.B.
23	97 - 087	1	LATCHING BRACKET - Op. Side
24	97 - 088	1	LATCHING BRACKET - Lay Side
25	97 - 034	1	LATCHING SHAFT
26	97 - 024	1	CONTROL SHAFT
㉑	97 - 066	1	BOTTOM COVER ASSEMBLY - Digital Stop
㉒	97 - 082	1	TOP COVER ASSEMBLY - Digital Stop
㉓	97 - 021	1	CONTROL DIAL ASSEMBLY
㉔	97 - 039	1	TILT DISK - Printed
31	97 - 038	1	LABEL - 'Pull Down To Lock'
32	97 - 117	1	BUSH BEARING
33	601 - 084	1	GROMMETT
34	601 - 086	1	BEZEL & LENS
35	604 - 070	1	COMPRESSION SPRING
36	605 - 004	2	NYLON WASHER

THIS SECTION IS CONTINUED ON THE FOLLOWING PAGES 



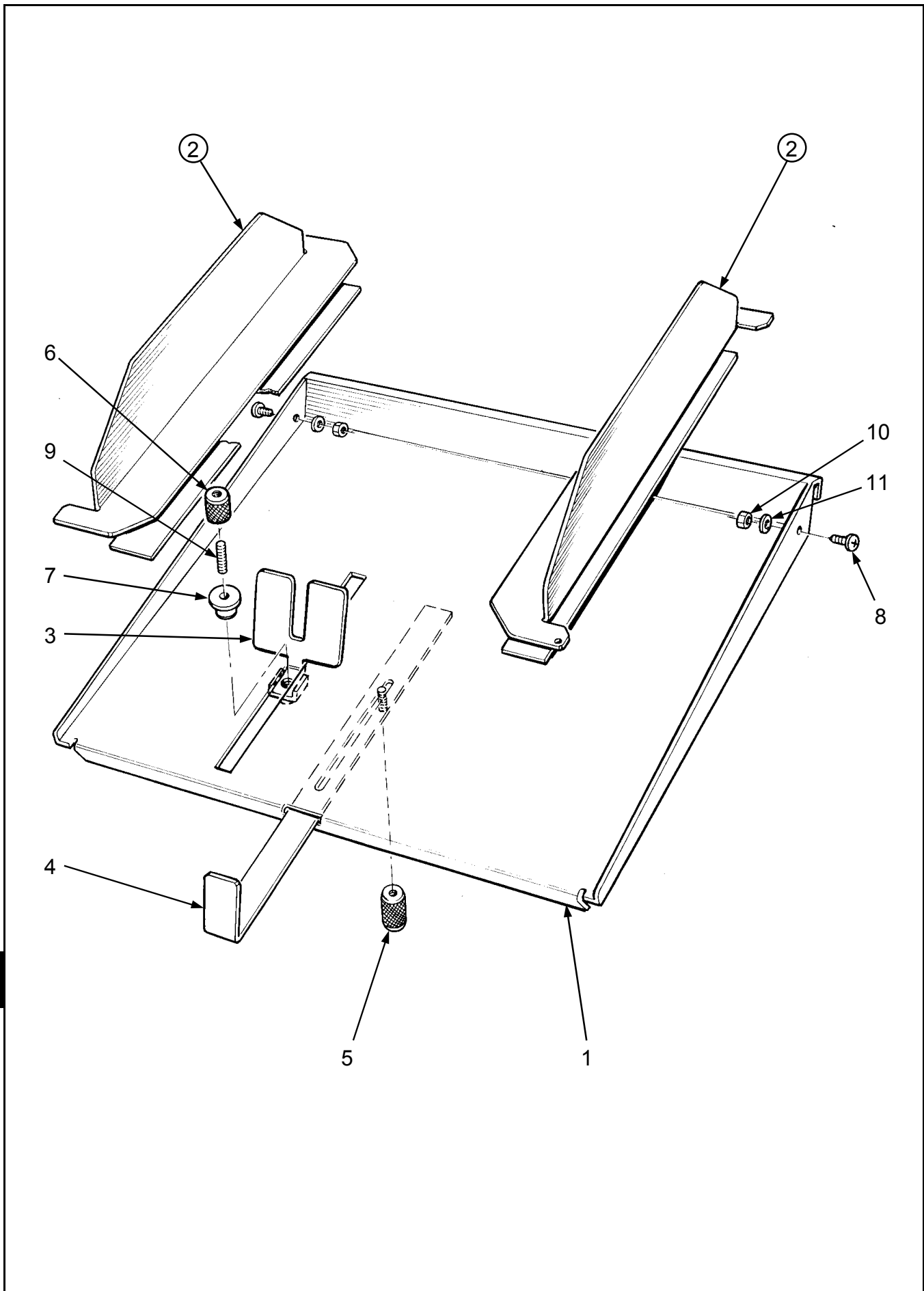
↩ THIS SECTION IS CONTINUED FROM THE PREVIOUS PAGE

ITEM	PART NUMBER	QTY	DESCRIPTION
21	97 - 030	2	IDLER REEL
22	97 - 040	1	POSITIONAL DISPLAY P.C.B.
23	97 - 087	1	LATCHING BRACKET - Op. Side
24	97 - 088	1	LATCHING BRACKET - Lay Side
25	97 - 034	1	LATCHING SHAFT
26	97 - 024	1	CONTROL SHAFT
27	97 - 066	1	BOTTOM COVER ASSEMBLY - Digital Stop
28	97 - 082	1	TOP COVER ASSEMBLY - Digital Stop
29	97 - 021	1	CONTROL DIAL ASSEMBLY
30	97 - 039	1	TILT DISK - Printed
31	97 - 038	1	LABEL - 'Pull Down To Lock'
32	97 - 117	1	BUSH BEARING
33	601 - 084	1	GROMMETT
34	601 - 086	1	BEZEL & LENS
35	604 - 070	1	COMPRESSION SPRING
36	605 - 004	2	NYLON WASHER
37	605 - 021	2	NYLON WASHER
38	606 - 019	2	HINGE - SOUTHCO
39	607 - 025	2	TIMING BELT
40	608 - 004	2	SHOULDER BOLT
41	613 - 379	1	BATTERY - PP3
42	615 - 009	1	STARLOCK
43	615 - 016	1	CIRCLIP - External
44	615 - 032	8	FLEX - LOC BUSHES
45	401 - 02 - 040 - 006	14	Screw - Pan Pozi Taptite - M4 x 6 Long
46	401 - 02 - 040 - 008	11	Screw - Pan Pozi Taptite - M4 x 8 Long
47	401 - 02 - 040 - 012	2	Screw - Pan Pozi Taptite - M4 x 12 Long
48	401 - 02 - 040 - 016	2	Screw - Pan Pozi Taptite - M4 x 16 Long
49	405 - 01 - 040 - 016	8	Screw - Socket Button Head - M4 x 16 Long
50	405 - 01 - 050 - 010	2	Screw - Socket Button Head - M5 x 10 Long
51	405 - 03 - 006 - 250	4	Screw - Socket Button Hd. - #6-32 UNC x 1/4 Lg.
52	409 - 01 - 040 - 004	6	Screw - Socket Set - Flat Point - M4 x 4 Long
53	463- 01 - 050	4	Nut - Domed - M5
54	481 - 050	1	Washer - Plain - M5
55	481 - 060	1	Washer - Plain - M56



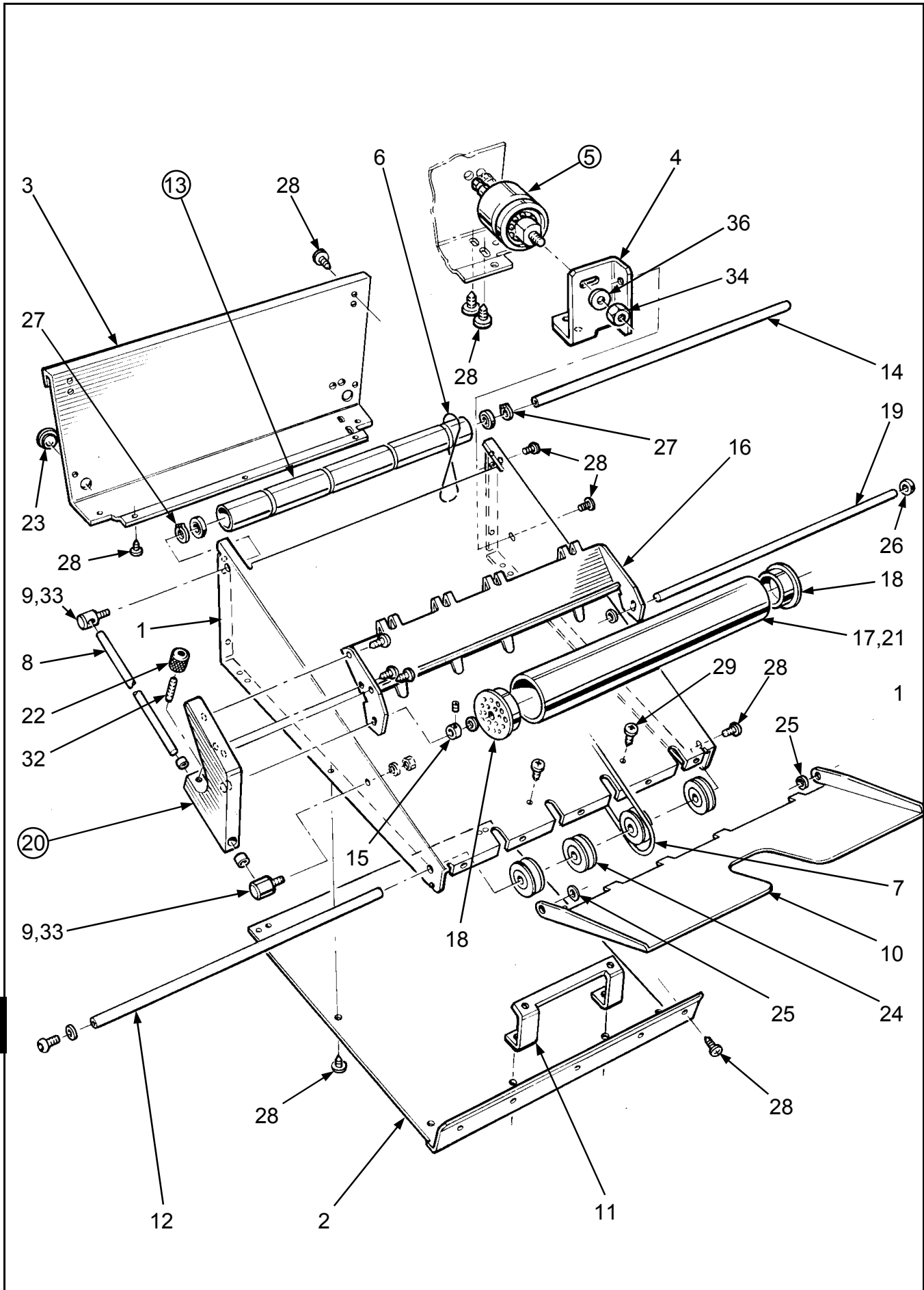
8

ITEM	PART NUMBER	QTY	DESCRIPTION
①	98-021	1	FRAME PAD ASSEMBLY - Op Side
②	98-022	1	FRAME PAD ASSEMBLY - Non Op Side
3	98-003	2	TIE BAR - Female
④	98-048	1	PERFORATOR SHAFT ASSY. - Upper
⑤	98-049	1	PERFORATOR SHAFT ASSY. - Lower - Gear Dv.
6	98-007	1	INPUT BED - Perforator
7	98-009	1	LOWER GUARD - Perforator
8	98-031	1	UPPER GUARD - Perforator
9	98-037	2	LATCH BEARING - Perforator
⑩	98-032	1	LATCHING SHAFT ASSY.
11	98-010	1	PERFORATOR SCALE
12	98-013	1	ANTI STATIC BRUSH
13	98-018	1	STRIPPER - Perforator
14	98-019	1	CARD SMOOTHER
15	601-096	1	END TIP
16	603-057	1	TENSION PIN
17	604-056	2	WAVED WASHER
18	401-02-040-006	10	Screw - Pan Pozi Taptite - M4 x 6 Long
19	404-01-050-016	4	Screw - Socket Countersunk - M5 x 16 Long
20			
21			
22			
23			
24			
25			
26			
27			
28			
29			
30			
31			
32			
33			
34			
35			
36			
37			
38			
39			
40			
41			
42			



8

ITEM	PART NUMBER	QTY	DESCRIPTION
1	98-015	1	STACKER BED
②	98-025	2	STACKER GUIDE ASSEMBLY
3	98-033	1	STACKER BACKSTOP
4	98-035	1	STACKER EXTENSION
5	89-017	1	EXTENDED KNOB
6	01-113	1	UNIVERSAL KNOB
7	605-033	1	SHOULDER WASHER
8	401-02-030-006	2	Screw - Pan Pozi Taptite - M3 x 6 Long
9	409-01-060-030	1	Screw - Socket Set - Flat Point - M6 x 30 Long
10	461-01-030	2	Nut - Full - M3
11	481-030	2	Washer - Plain - M3
12			
13			
14			
15			
16			
17			
18			
19			
20			
21			
22			
23			
24			
25			
26			
27			
28			
29			
30			
31			
32			
33			
34			
35			
36			
37			
38			
39			
40			
41			
42			



9

ITEM	PART NUMBER	QTY	DESCRIPTION
1	99 - 001	1	REAR DELIVERY FRAME
2	99 - 002	1	REAR DELIVERY COVER
3	99 - 003	1	MOUNTING HOOK
4	99 - 004	1	SUPPORT BRACKET
⑤	99 - 009	1	FLOATING DRIVE ASSEMBLY
6	99 - 010	1	DRIVE BELT - Rear Delivery
7	99 - 011	4	TRANSPORT BELT - Rear Delivery
8	99 - 012	1	SLIDE SHAFT - Rear Delivery
9	99 - 013	2	SUPPORT BARREL
10	92 - 003	1	STACKER - Hinged
11	92 - 004	1	SUPPORT STRAP
12	92 - 005	1	IDLER SHAFT - Delivery Idler
⑬	92 - 029	1	CORD ROLLER ASSEMBLY
14	92 - 006	1	SUPPORT SHAFT - Delivery
15	92 - 018	1	CONTROL COLLAR - Stacker
16	92 - 020	1	CATCHING FRAME - Delivery
17	92 - 021	1	STACKER ROLLER - Long
18	92 - 022	2	END CAP - Stacking Roller
19	92 - 023	1	AXLE - Stacking Roller
⑳	92 - 039	1	SLIDE FRAME ASSEMBLY - Low
21	16 - 030	1	COUNTER WEIGHT
22	01-120	1	UNIVERSAL KNOB
23	601 - 093	2	GROMMET FOOT
24	602 - 047	4	IDLER PULLEY - LIGHT DUTY
25	605 - 040	2	NYLON WASHER
26	615 - 004	1	CAPPED PUSH-ON FASTENER
27	615 - 005	2	NO GROOVE CIRCLIP
28	401-02-040-006	17	Screw - Pan Pozi Taptite - M4 x 6 Long
29	401-02-040-008	3	Screw - Pan Pozi Taptite - M4 x 8 Long
30	405-01-040-008	2	Screw - Socket Button Head - M4 x 8 Long
31	405-01-060-010	1	Screw - Socket Button Head - M6 x 10 Long
32	409-01-040-016	1	Screw - Socket Set - Flat Point - M4 x 16 Long
33	461-01-060	1	Nut - Full - M4
34	461-01-080	1	Nut - Full - M6
35	481 - 040	3	Washer - Plain - M4
36	481 - 080	1	Washer - Plain - M8

NOTES....

◆The above assembly is an option and may not be supplied with your model of machine, it may however be available from your dealer.

ITEM	PART NUMBER	QTY	DESCRIPTION
1	90 - 010	1	JUNIOR PARTS MANUAL.
2	90 - 011	1	JUNIOR OPERATORS MANUAL.
③	90 - 018	1	ROLLER CLEANING KIT
④	78 - 007	1	BACK STOP ASSEMBLY
⑤	1 - 99 - 35P	1	ANVIL SET
⑥	1 - 99 - 41P	1	PERFORATING SET - 56T - SLITTING
⑦	6 - 99 - 05P	1	SCORING SET - TYPE A
8	613 - 316	1	POWER CORD - (UK)
9	617 - 004	5	GLASS BALL
10	620 - 004	1	HEX BALL DRIVER - 4.0mm
11	620 - 006	1	ALLEN KEY - 3.0mm
12	620 - 007	1	HEX BALL DRIVER - 2.0mm
13	620 - 020	1	HEX BALL DRIVER - 2.5mm
14	620 - 025	1	BONDUS 'L' WRENCH - 2.5mm
15	620 - 027	1	BONDUS 'L' WRENCH - 5.0mm
16	620 - 032	1	COMBINATION SPANNER - 13.0mm A/F
17	624 - 018	1	DISPATCH KIT BOX
18			
19			
20			
21			
22			
21			
22			
23			
24			
25			
26			
27			
28			
29			

NOTES....

◆Some of the items shown in the illustration are accessories and may not be supplied with your model of machine. They may, however be available from your dealer.

WARNING.....

THE BLADES FOR ANVIL, PERFORATING, & SCORING SETS ARE SUPPLIED AS MATCHED PAIRS AND SHOULD NEVER BE MIXED-UP OR LEFT UN-PROTECTED AS SERIOUS DAMAGE WILL RESULT.

	DESCRIPTION	CODE
1	SCORING SET - TYPE A	6 - 99 - 05P
2	SCORING SET - TYPE B	6 - 99 - 06P
3		
4	PERFORATING SET - 20T SLITTING	1 - 99 - 10P
5	PERFORATING SET - 20T SLITTING -HEAVY DUTY	1 - 99 - 11P
6	PERFORATING SET - 28T SLITTING	1 - 99 - 12P
7	PERFORATING SET - 56T SLITTING	1 - 99 - 41P
8		
9		
10		
11	SLITTING BLADE SET	1 - 99 - 13P
12	ANVIL SET	1 - 99 - 35P
13		
14	PERFORATOR STRIPPER SET	98 - 018
15	SHEET SMOOTHER - STACKER	69 - 023 -3
16	PAPER PROFILE ROLLERS - SET(SPLIT)	6 - 99 - 36P
17		
18		
19		
20		
21		
22		
23		
24		
25		
26		
27		
28		
29		
30		
31		
32		
33		
34		
35		
36		

ACCESSORIES....

....May be obtained from your dealer and fitted to your machine using the instructions supplied, or by consulting your operators manual.

OPTIONS....

....May also be obtained *and fitted* by your dealer. You should not attempt to fit options yourself as specialist tools and knowledge are required.

RECOMMENDED SPARES

Morgana

SECTION	ITEM	PART No.	DESCRIPTION
1	20	91 - 044	DRIVE BELT - Main
1	33	606 - 028	FOOT - Black
2	7	92 - 010	TRANSPORT BELT - Delivery
2	13	92 - 026	DRIVE BELT - Delivery
2	25	607 - 022	TWIN GRIP TIMING BELT
3	16	93 - 021	FEED BELT
3	17	93 - 022	DRIVE BELT - Vacuum Roller
3	28	607 - 027	TIMING BELT
3	21	93 - 028	SMOOTHER - Delivery
3	29	609 - 011	'O' RING
3	30	609 - 014	'O' RING
4	6	94 - 028	LOCK PIN ASSEMBLY - Side Lay
5	6	95 - 017	HOSE - Vacuum
5	7	95 - 018	HOSE - Separation Air
5	14	95 - 031	HOSE - Evacuation
5	15	95 - 032	HOSE - Exhaust
5	10	95 - 048	CONTROL PCB - Auto
5	34	613 - 137	PLUNGER & SPRING ASSY
5	36	613 - 255	SOLENOID COIL
5	38	613 - 365	EMERGENCY STOP SWITCH
5	39	613 - 376	SWITCH 10 AMP T/T - 12v COIL
5	23	95 - 049	ROTARY ENCODER ASSEMBLY
5	9	95 - 020	LENS - Display
5	32	609 - 013	'O' RING
5	21	95 - 046	SWITCH ASSEMBLY - Reset/ Pulse / Stream
5	22	95 - 047	SWITCH ASSEMBLY - Feed
5	42	613 - 386	NUT COVER
5	35	613 - 237	CAP
5	41	613 - 385	KNOB
6	7	96 - 028	FOLD ROLLER ASSEMBLY - Standard
6	6	96 - 049	FOLD ROLLER ASSEMBLY - Bottom
6	11	96 - 031	DRIVE BELT - Large Roller Drive
6	21	601 - 021	MAGNETIC ACTUATOR
6	28	606 - 030	SCALLOP KNOB - Black
6	29	609 - 023	O'RING
7	23	97 - 040	POSITIONAL DISPLAY - PCB
7	41	607 - 026	TIMING BELT
7	39	607 - 025	TIMING BELT
7	19, 20	97 - 046	POT & LEAD ASSEMBLY

NOTE.....

The items listed above represent parts which are subject to wear, loss, or accidental damage, and is included for your guidance only.

Section and Item numbers refer to the illustrations and tables in this manual.

Replacement of most of the parts fitted to your machine requires specialist

