

# TF MEGA-S PARTS CATALOG

DE0101  
12.7.6

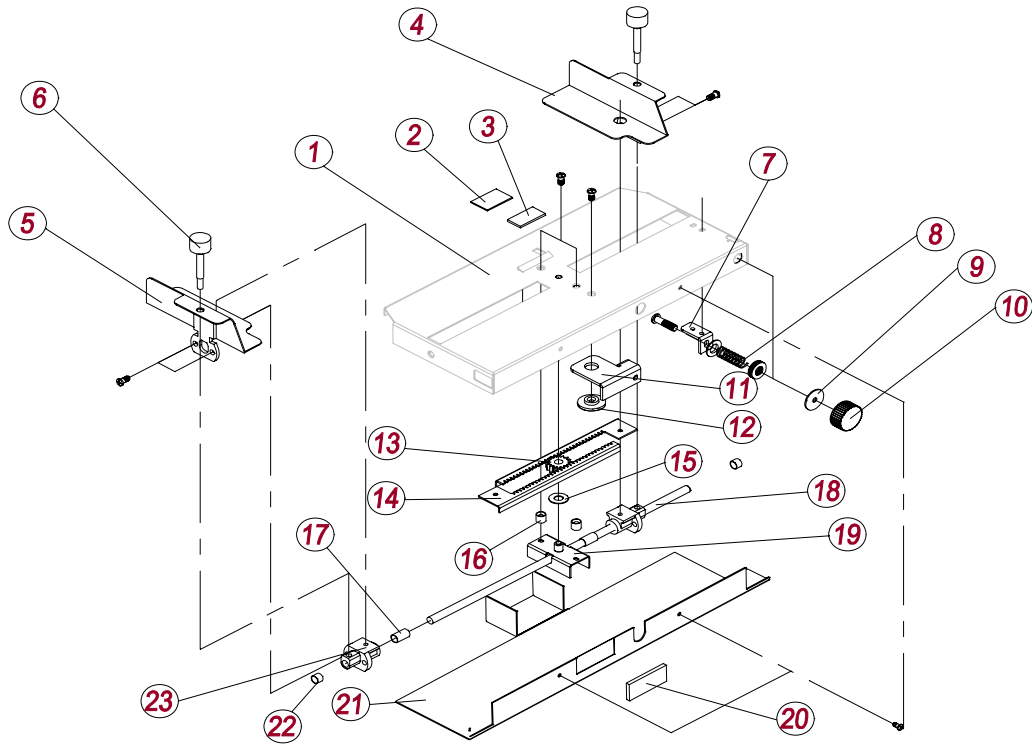


# Table of Contents

---

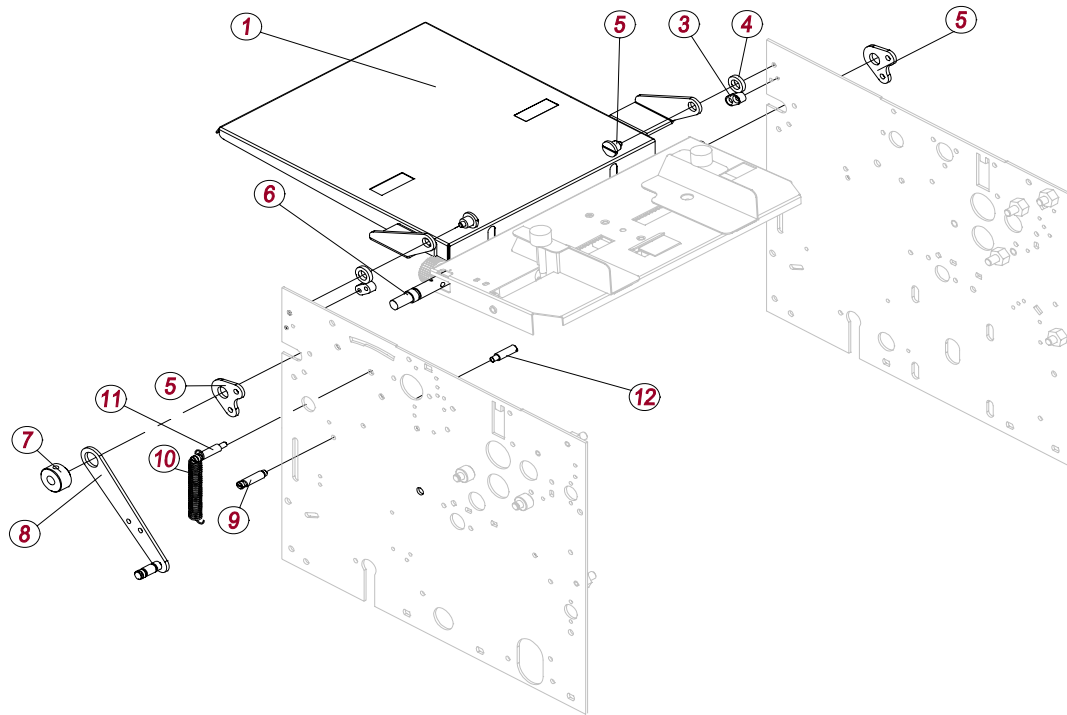
	Parts Catalog	
1	Paper Feed Plate Section .....	1
2	Auxiliary Paper Feed Section .....	2
3	Paper Feed Section .....	3
4	Press Roll Section .....	4
5	Stacker Driving Section .....	5
6	Paper Feed Driving Section .....	6
7	First Folding Plate (1) .....	7
8	First Folding Plate (2) .....	8
9	Second Folding Plate (1) .....	9
10	Second Folding Plate (2) .....	10
11	Stacker Section .....	11
12	Stacker Section .....	12
13	Ejection Section .....	13
14	Frame. Sub Frame Section .....	14
15	Control Panel Section .....	15
16	Wire Connector Section .....	16

# Paper Feed Plate Section



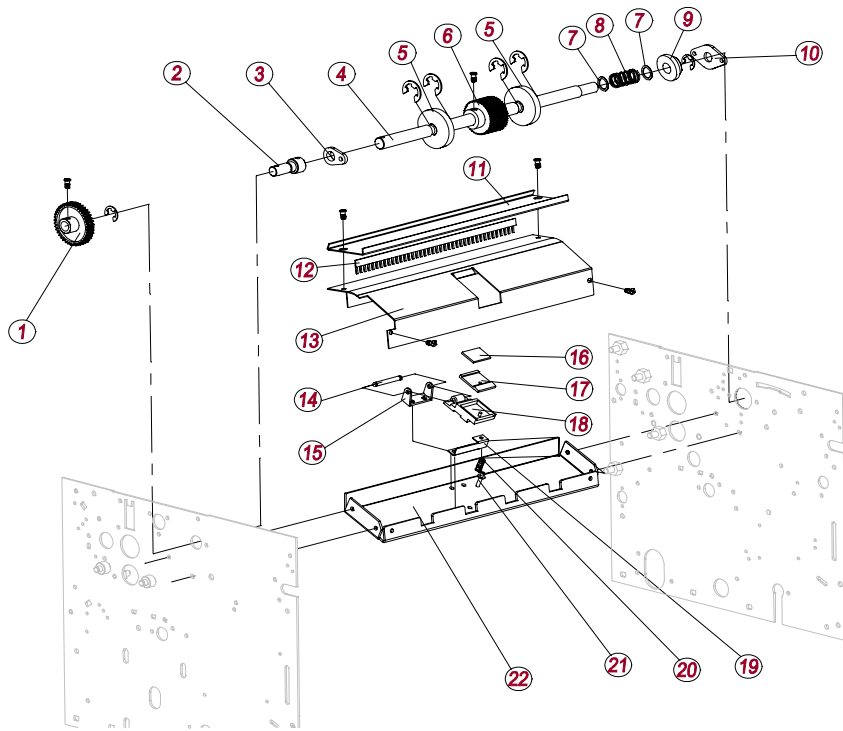
INDEX	PARTS NO.	DESCRIPTION	QTY	REMARK
1	HF280-10101-1	Paper Feed Plate	1	
2	96V-20050	Paper Separator Plate	1	
3	HF280-10200	Backward Stopper	1	
4	HF280-10104	Paper Guide L Unit	1	
5	HF280-10103	Paper Guide R Unit	1	
6	HF270-000020	Set Screw	2	
7	96V-B0430	Angle	1	
8	96V-B0421	Compression Spring	1	
9	96V-B0410	Washer	1	
10	96V-B0400	Slant Adjust Screw	1	
11	96V-B0211	Bracket	1	
12	96V-B0220	Metal, Spacer	1	
13	HF280-10108	Gear	1	
14	HF280-10102	Rack	2	
15	HF280-10109	collar	1	
16	96V-B0360	Metal, Spacer	2	
17	HF280-10115	Tube 2	2	
18	HF280-10106	Shaft	1	
19	HF280-10107	Plate Unit	1	
20	96V-J4411	Magnet Plate	1	
21	HF280-10300	Cover Plate	1	
22	HF280-10114	Tube 1	2	
23	HF280-10116	Slide	2	

# Auxiliary Paper Feed Section



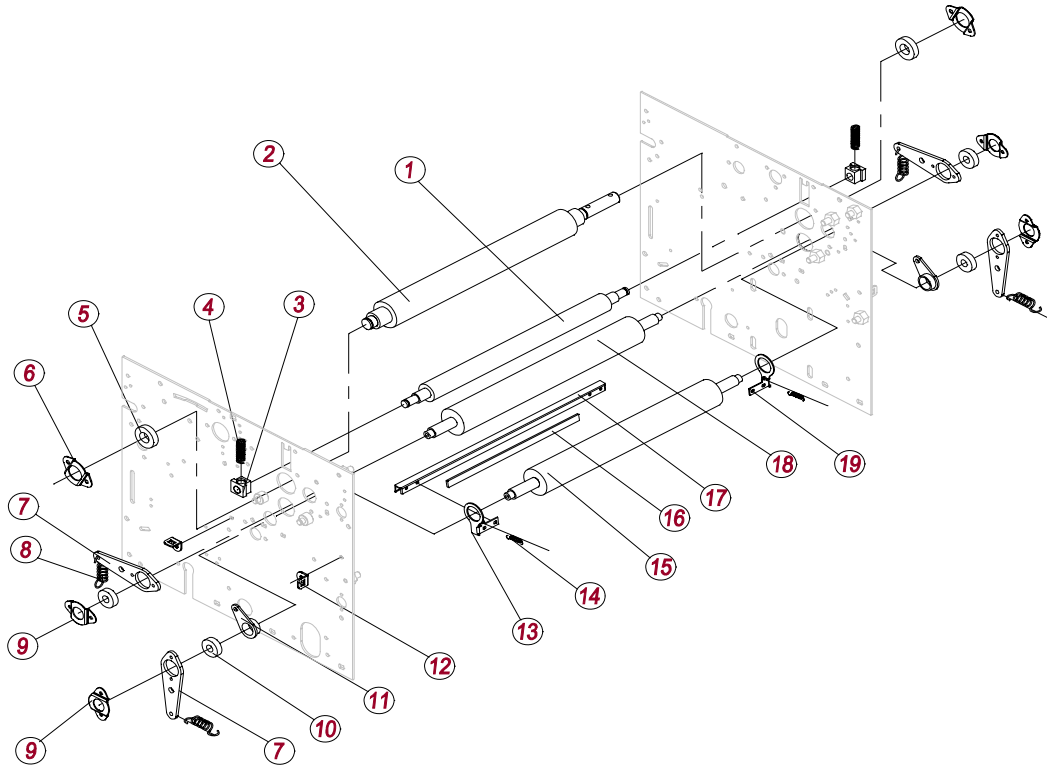
INDEX	PARTS NO.	DESCRIPTION	QTY	REMARK
1	HF280-10700	Auxiliary Paper Feed Plate Unit	1	
2	HF280-11000	Paper Guide	2	
3	HF280-10800	Spacer	2	
4	HF280-10900	Pillar	2	
5	HF280-10110-1	Shaft	1	
6	HF280-10110-2	Tube	1	
7	HF280-10111	Lever	1	
8	HF280-10112	Bracket	2	
9	HF230-103000	Spring Pillar 1	1	
10	HF270-000011	Tension Spring	1	
11	HF230-10500	Spring Pillar	1	
12	HF230-107000	Pillar	1	

# Paper Feed Section



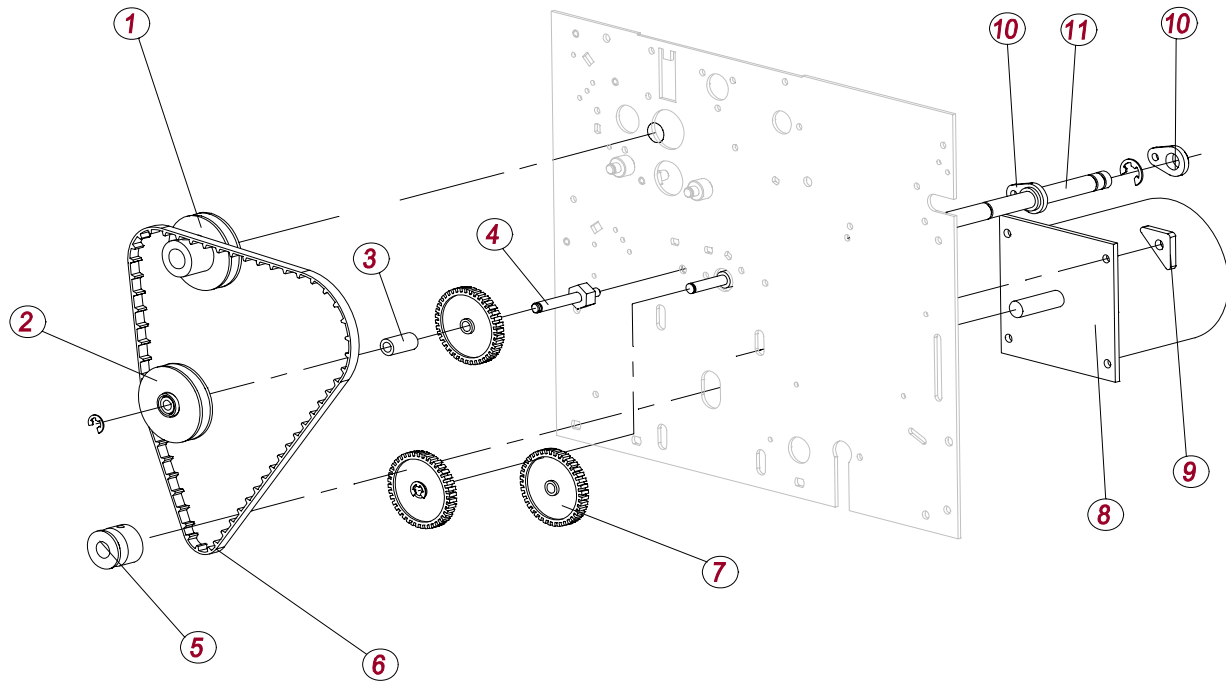
INDEX	PARTS NO.	DESCRIPTION	QTY	REMARK
1	96V-A1260	Gear (42T)	1	
2	96V-A1270	Shaft	1	
3	995-B3181	Collar	1	
4	HF270-000024	Paper Feed Shaft	1	
5	HF270-00002	Paper Feed Wheel	2	
6	96V-22070	Rubber Wheel Unit	3	
7	HF220D-01306	Washer	2	
8	HF220D-209030	Compression Spring	1	
9	HF220D-01305	Bearing	1	
10	HF270-00004	Pressure Roller Positioning Plate	1	
11	HF280-20300	Paper Feed Guide (Upper)	1	
12	HF230-506300	Anti-static Brush Strip 2	1	
13	HF280-20400	Paper Feed Guide (Lower)	1	
14	96V-B3110	Shaft	1	
15	96V-B3100	Channel	1	
16	12H-B6090	Paper Separator	1	
17	96V-B3050	Paper Separator Table	1	
18	96V-B3081	Paper Separator Base	1	
19	96V-B3131	Guide Plate	1	
20	96V-B3141	Compression Spring	1	
21	96V-B3122	Shaft	1	
22	HF280-20200	Reinforcement Plate	1	

# Press Roll Section



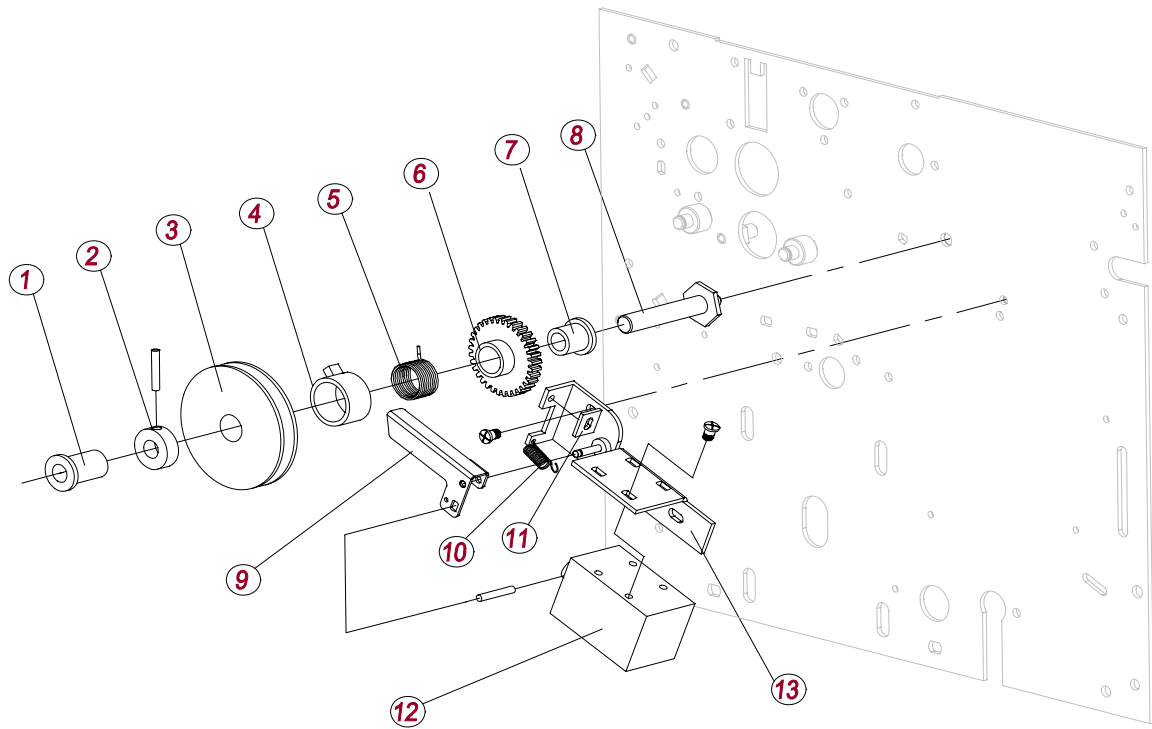
INDEX	PARTS NO.	DESCRIPTION	QTY	REMARK
1	HF280-30200	Idler Roll	1	
2	HF280-30100	Center Press Roll	1	
3	966-A4041	Square Metal	2	
4	HF220D-03300	Compression Spring	2	
5	013-K0043	Bearing	2	
6	96V-L0280	Cover	2	
7	96V-A0382	Press Lever	2	
8	94H-D5260	Tension Spring	4	
9	96V-A0391	Cover	4	
10	013-K0153	Bearing	4	
11	96V-A0280	Bearing	2	
12	HF220D-01000	Angle	4	
13	96V-A0253	Switch Angle L	1	
14	941-B1662	Tension Spring	2	
15	HF280-30300	First Press Roll	1	
16	HF280-31000-1	Pad	1	
17	HF280-31000	Switching Shaft Unit	2	
18	HF280-30400	Second Press Roll	4	
19	96V-A0243	Switching Angle R	2	

# Stacker Driving Section



INDEX	PARTS NO.	DESCRIPTION	QTY	REMARK
1	HF270-00001	Pulley	1	
2	96V-J4581	Pulley Unit	1	
3	96V-A2140	Bearing	1	
4	96V-A2170	Shaft	1	
5	HF270-000019	Stacker Pulley	1	
6	HF270-000021	V Belt	1	
7	96V-A2051	Gear	3	
8	HF230-910100	AC Motor	1	
9	941-A0031	Locking Plate	1	
10	995-B3181	Collar	2	
11	HF280-50101	Stacker Shaft	1	

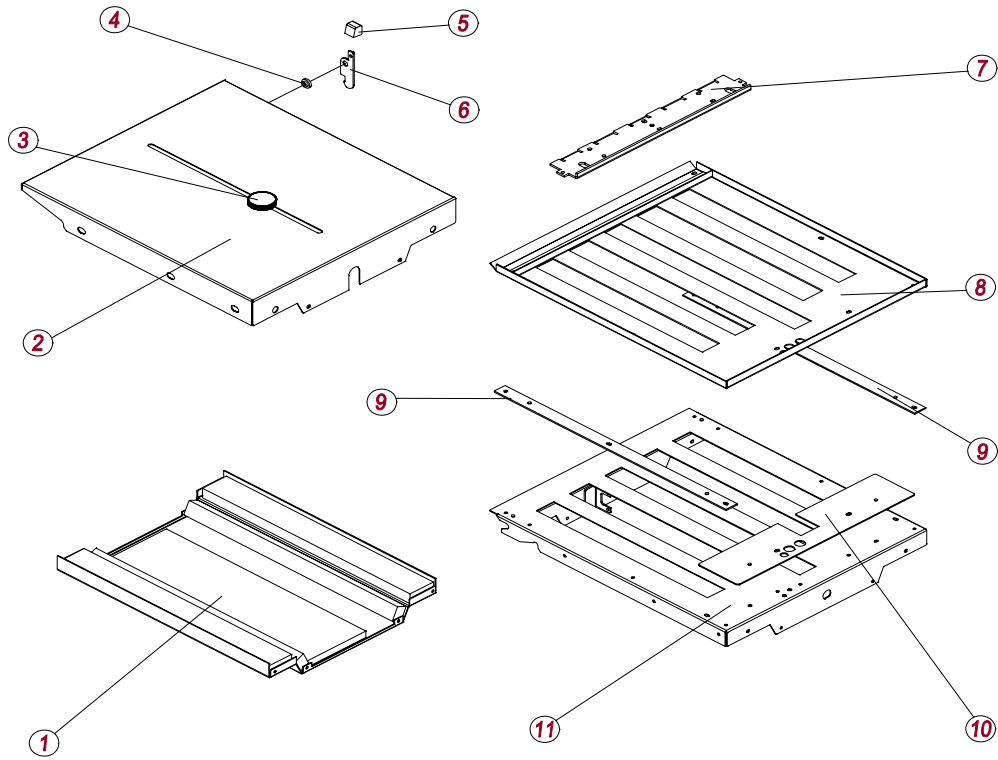
# Paper Feed Driving Section



INDEX	PARTS NO.	DESCRIPTION	QTY	REMARK
1	96V-A1130	Bushing	1	
2	941-A0181	Collar	1	
3	96V-A1120	Pulley	1	
4	HF220D-192000	Spring Case	1	
5	96V-A1190	Clutch Spring	1	
6	96V-A1150	Gear (33T)	1	
7	941-A0160	Bushing	1	
8	96V-A1170	Pillar	1	
9	HF220D-195001	Lever	1	
10	96V-A1400	Tension Spring	1	
11	96V-L0330	Plate	1	
12	96V-H2200	Solenoid	1	
13	96V-L0310	Shaft Unit	1	

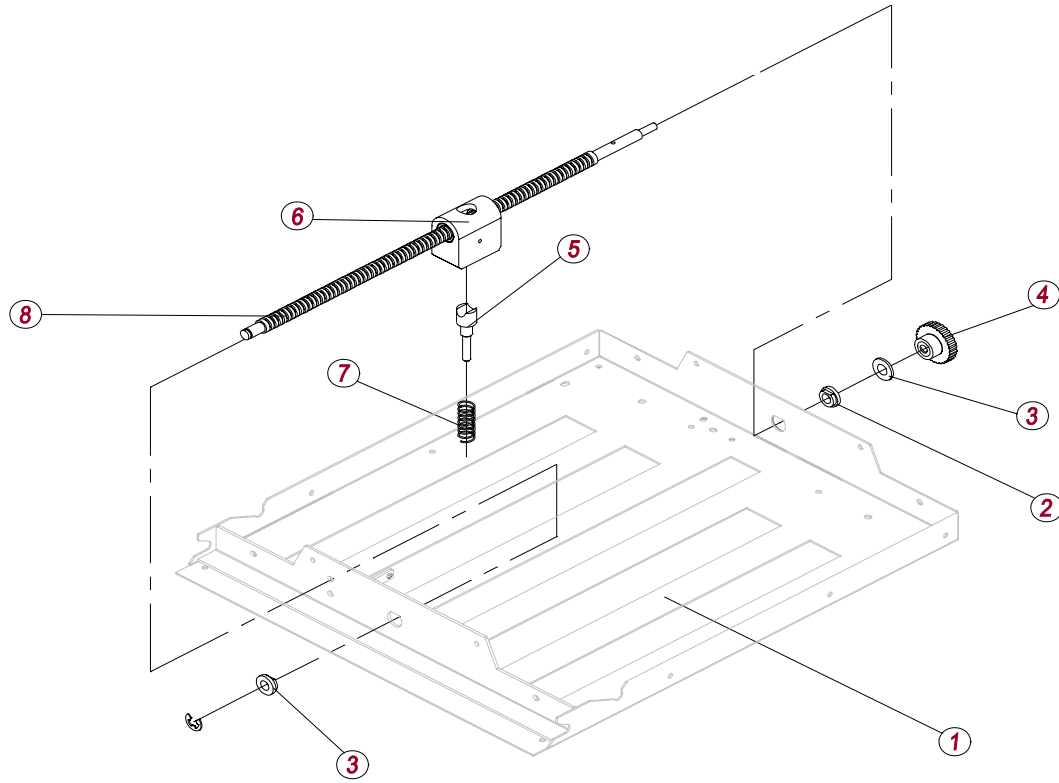


# First Folding Plate



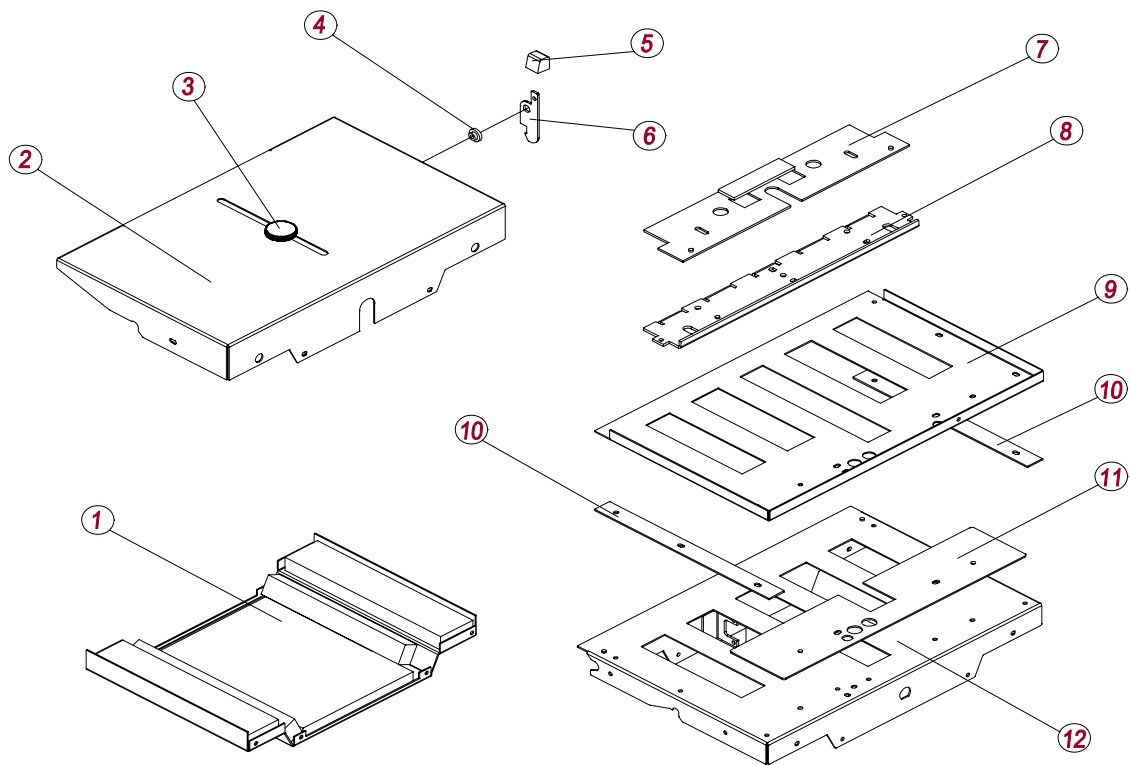
INDEX	PARTS NO.	DESCRIPTION	QTY	REMARK
1	HF280-41100	Bottom Cover (1) Unit	1	
2	HF280-40100	Top Cover 1	1	
3	96V-G5162G01	Knob Unit	1	
4	0Y3-K6022	Collar	1	
5	96V-C0602	Lever	1	
6	947-C1190	Knob	1	
7	HF280-40600	Operation Plate	1	
8	HF280-40200	First Folding Plate (1)	1	
9	HF280-40400	Side Spacer (1)	2	
10	HF280-40300	Spacer (1)	1	
11	HF280-40500	Guide Plate (1)	1	

# First Folding Plate



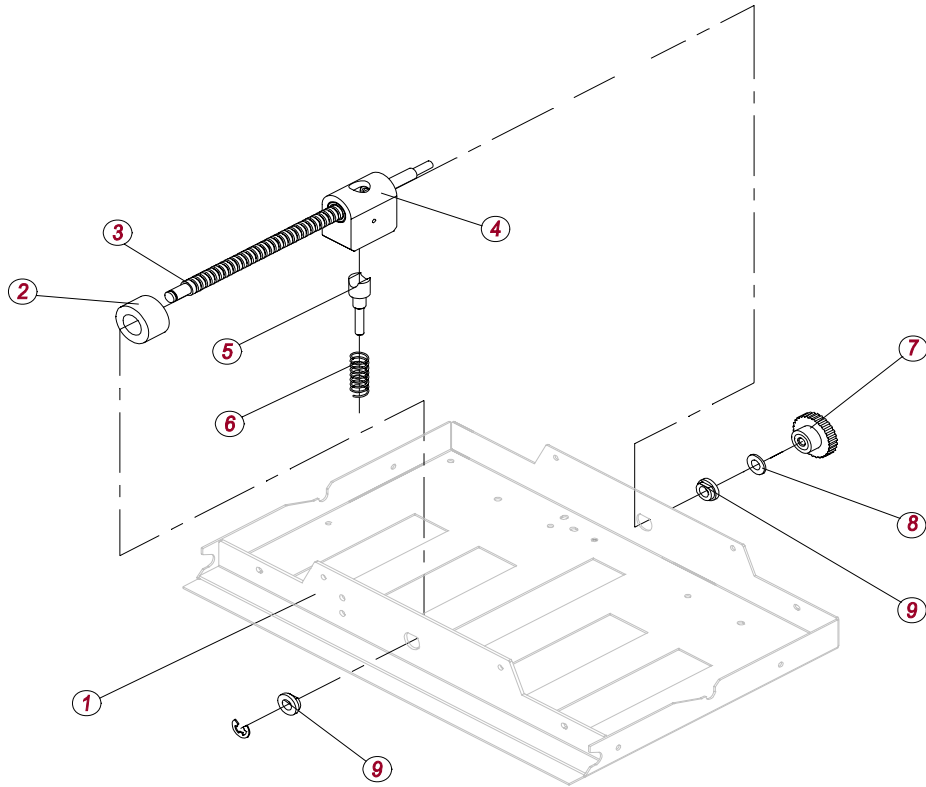
INDEX	PARTS NO.	DESCRIPTION	QTY	REMARK
1	HF280-40500	Guide Plate (1)	1	
2	941-C0131	Collar	2	
3	HF270-00008	Washer	1	
4	96V-C5162G02	Knob Unit (2)	1	
5	96V-C5253	Half Nut Unit	1	
6	96V-C5201	Guide Block Unit	1	
7	96V-C2241	Compression Spring	1	
8	HF280-40900	Screw Shaft (1)	1	

# Second Folding Plate



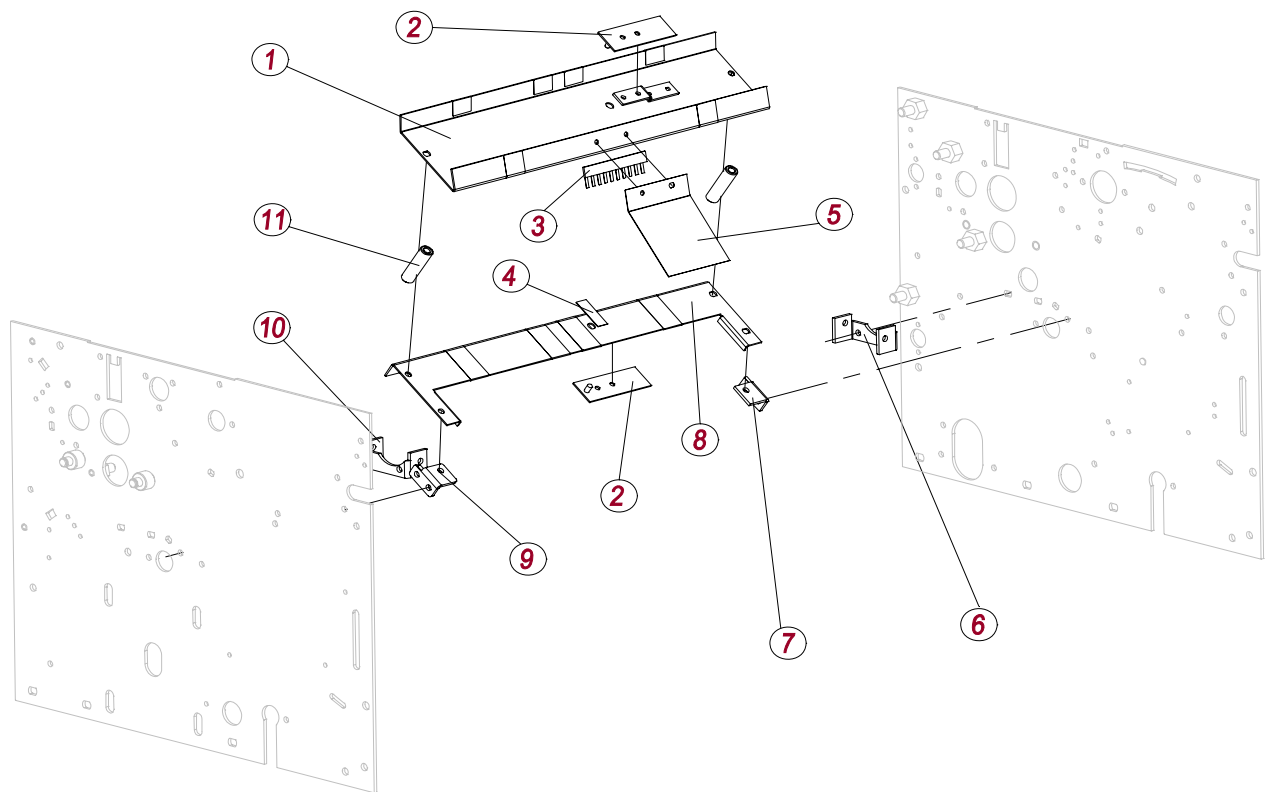
INDEX	PARTS NO.	DESCRIPTION	QTY	REMARK
1	HF280-42200	Bottom Cover (2)	1	
2	HF280-41500	Top Cover (2)	1	
3	96V-G5162G01	Knob Unit (1)	1	
4	0Y3-K6022	Collar	1	
5	947-C1190	Knob	1	
6	96V-C0602	Lever	1	
7	HF280-41900	Switching Adjust Plate	1	
8	HF280-40600	Stopper	1	
9	HF280-41600	Second Folding Plate (2)	1	
10	HF280-41700	Side Spacer (2)	2	
11	HF280-40300	Spacer (1)	1	
12	HF280-41800	Guide Plate (2)	1	

# Second Folding Plate



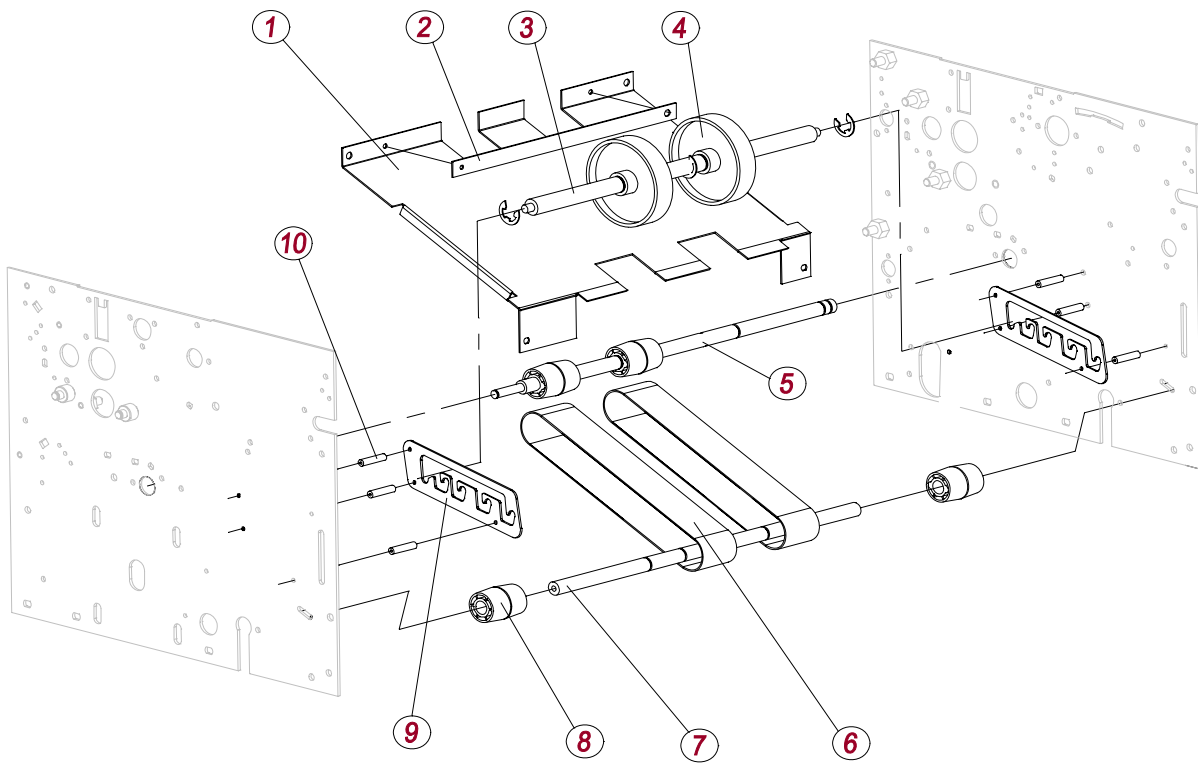
INDEX	PARTS NO.	DESCRIPTION	QTY	REMARK
1	HF280-41800	Guide Plate (2)	1	
2	96V-C0160	Collar	1	
3	HF280-42000	Screw Shaft (2) Unit	1	
4	96V-C5201	Guide Block Unit	1	
5	96V-C5253	Half Nut Unit	1	
6	96V-C2241	Compression Spring	1	
7	96V-C5162G02	Knob Unit (2)	1	
8	HF270-00008	Washer	1	
9	941-C0131	Collar	2	

# Stacker Section



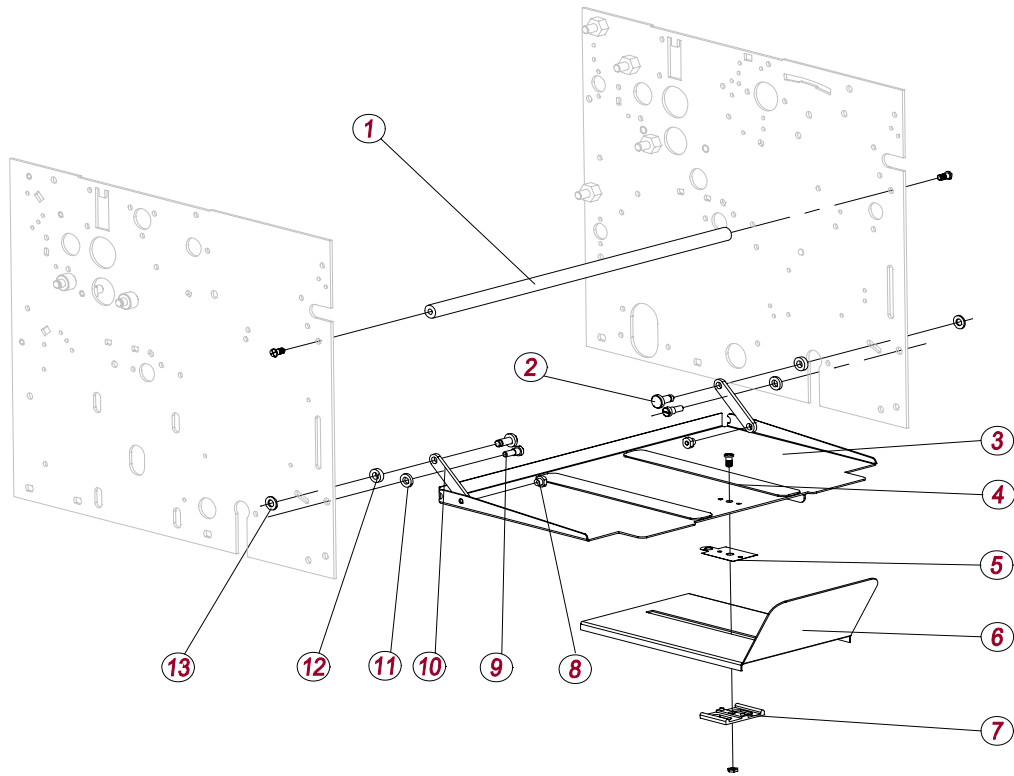
INDEX	PARTS NO.	DESCRIPTION	QTY	REMARK
1	HF280-52100	Stacker Guide Unit (Top)	1	
2	HF230-921100	Ejection Light Sensor	1	
3	96V-D0260	Anti-Static Brush Strip (2)	1	
4	96V-J2460	Mylar	1	
5	96V-D0071	Guide	1	
6	HF280-50500	Bracket R	1	
7	HF280-51900	Angle R	1	
8	HF280-52000	Stacker Guide Unit (Bottom)	1	
9	HF280-50600	Bracket L	1	
10	HF280-52300	Angle L	1	
11	HF230-506200	Collar	2	

# Stacker Section



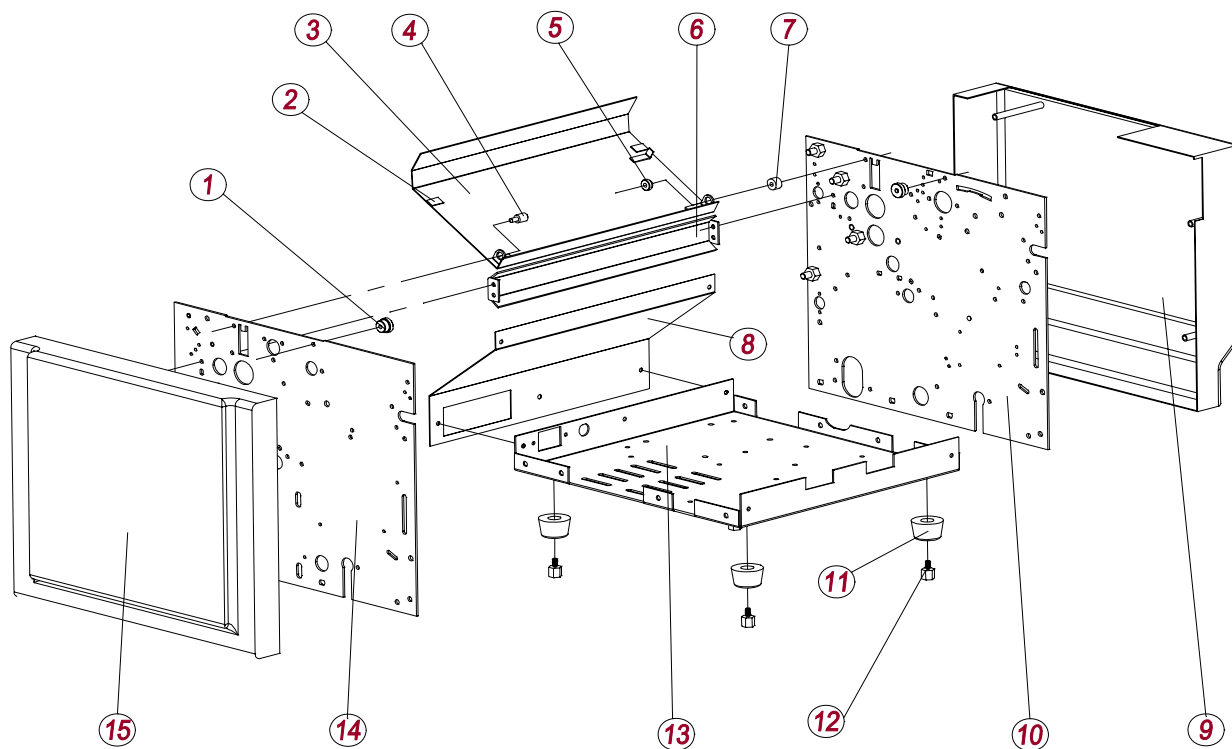
INDEX	PARTS NO.	DESCRIPTION	QTY	REMARK
1	HF280-50300	Stacker Plate	1	
2	HF280-50300-1	Stopper	1	
3	HF270-000018	Shaft	1	
4	HF280-50902	Roller	2	
5	HF280-50101	ST Shaft	1	
6	HF230-50900	Flat Belt	2	
7	HF280-50200	Secondary Stacker Shaft	1	
8	96V-J2490	Roller	4	
9	HF270-00004	Press Roller Locking Plate	2	
10	HF270-00005	Collar	6	

# Ejection Section



INDEX	PARTS NO.	DESCRIPTION	QTY	REMARK
1	HF280-60400	Stay	1	
2	HF280-51500	Pillar	2	
3	HF280-51001	Paper Receiving Plate Unit	1	
4	HF280-51002	Slide Plate	2	
5	990-B7181	Plate	1	
6	HF280-51100	Stopper	1	
7	93E-E0670	Guide Plate	1	
8	HF280-51400	Collar	2	
9	HF280-51200	Pillar	2	
10	HF280-51300	Lever	2	
11	HF280-51800	Collar	2	
12	HF280-51600	Collar	2	
13	HF280-51700	Washer	2	

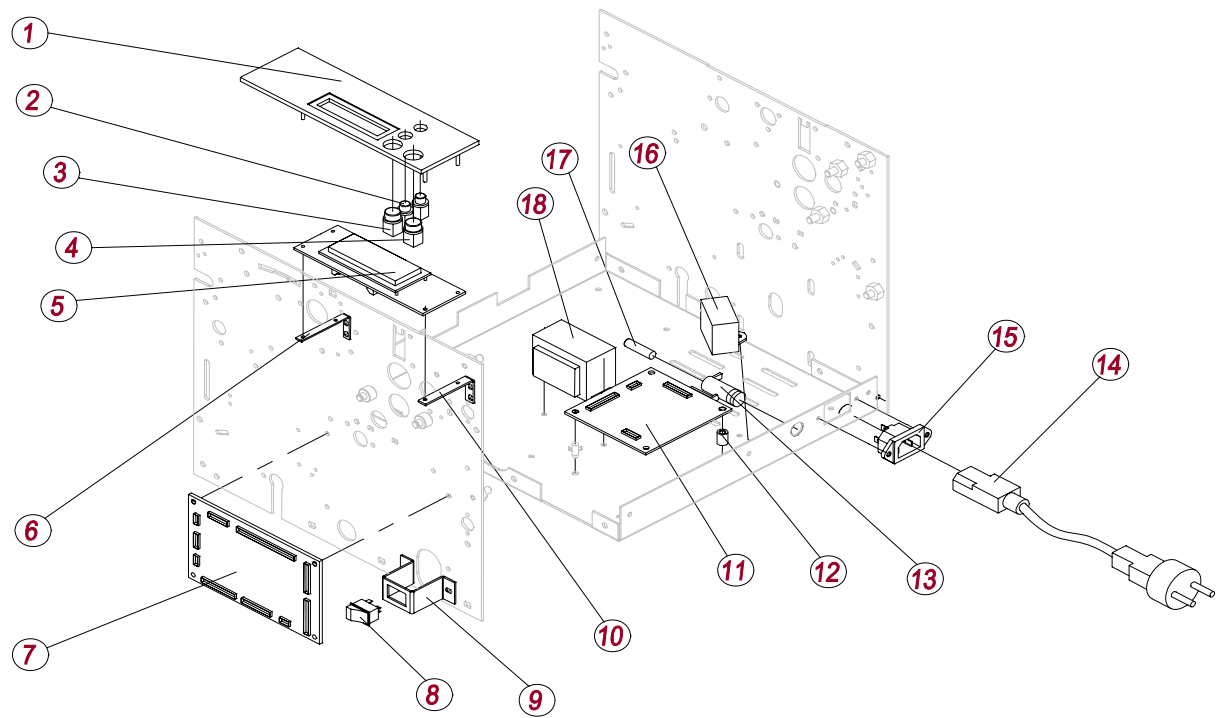
# Frame. Sub Frame Section



INDEX	PARTS NO.	DESCRIPTION	QTY	REMARK
1	HF280-61100	Cover	2	
2	96V-E1020	Rubber Pad	2	
3	HF280-60700	P Roll Cover Unit	1	
4	94H-F4100	Pillar	1	
5	HF280-60800	Collar	1	
6	HF280-60500	Slider	1	
7	HF280-60900	Collar	1	
8	HF280-60600	Sealing Cover	1	
9	HF280-61600	Cover (Right)	1	
10	HF280-60100	Frame (Right)	1	
11	HF220D-05700	Rubber Leg	4	
12	HF220D-04400	Rubber Leg Pillar	4	
13	HF280-60300	Bottom Frame	1	
14	HF280-60200	Frame (Left)	1	
15	HF280-61700	Cover (Left)	1	

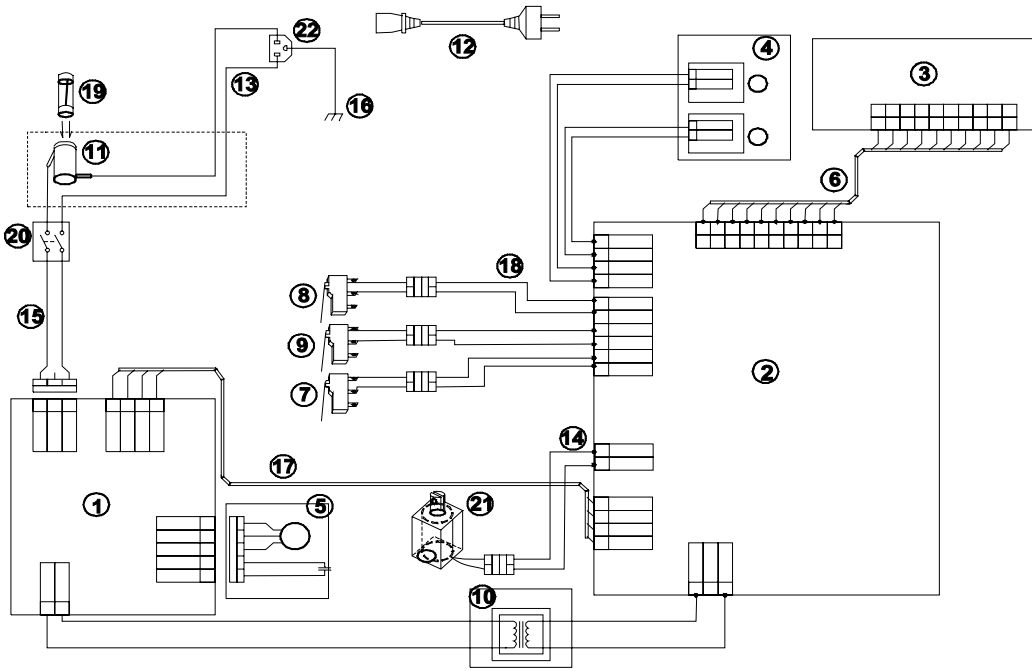


# Control Panel Section



INDEX	PARTS NO.	DESCRIPTION	QTY	REMARK
1	HF280-61800	Control Panel Unit	1	
2	96V-L0270	Button (Small)	2	
3	HF270-000023	Button (Blue)	1	
4	HF270-000022	Button (Red)	1	
5	HF280-903013	Control Panel Base	1	
6	HF280-61400	Control Panel Holder (Central)	1	
7	HF230-902001	Main Board	1	
8	96V-H2300	Power Switch	1	
9	96V-E0240	Power Switch Bracket	1	
10	HF280-61500	Control Panel Holder (Right)	1	
11	HF230-901000	Power Supply Board	1	
12	HBM32A-08500	Collar	1	
13	HF270-921000	Fuse Holder	1	
14	96V-H0830	Electric Wire	1	
15	HDB-04	Inlet	1	
16	CBB61/2UF500VAC	Condenser Unit	1	
17	HDB-62	Fuse	1	
18	HF230-910300	Transformer (120V)	1	

# Wire Connector Section



INDEX	PARTS NO.	DESCRIPTION	QTY	REMARK
1	HF230-901000	Power Supply Board	1	
2	HF230-902001	Main Board	1	
3	HF280-903013	Control Panel PCB Unit	1	
4	HF230-921100	Ejection Light Sensor	1	
5	HF230-910100	AC Motor Unit 220V (YN80-25)	1	
6	HF270-920900	Flat Cable	1	
7	HF270-910600	Micro Switch	1	
8	HF270-910400	Micro Switch	1	
9	HF270-910500	Micro Switch	1	
10	HF230-910300	Transformer	1	
11	HF270-921000	Fuse Holder	1	
12	96V-H0810	Electric Wire	1	
13	DF777-911170	Electric Plug Wire	1	
14	HF230-920700	Electromagnet Wire	1	
15	HF230-920800	Electric Switch Wire	1	
16	HF230-920100	Ground Wire	1	
17	HF230-920300	Circuit Board and Control Board Wire	1	
18	HF230-920600	Mobility Switch Wire	1	
19	HDB-62	Fuse(3.15A)	1	
20	96V-H2300	Power Switch RL3-421-G-3-B/B-P8)	1	
21	96V-H2200	Solenoid HDB-01	1	
22	HDB-04	Inlet	1	